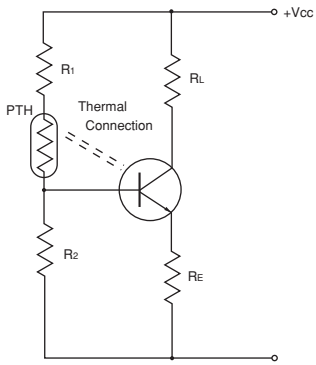


Application Circuit

■ (1) Overheat Protection Circuit



■ (2) Temperature Sensing Circuit

