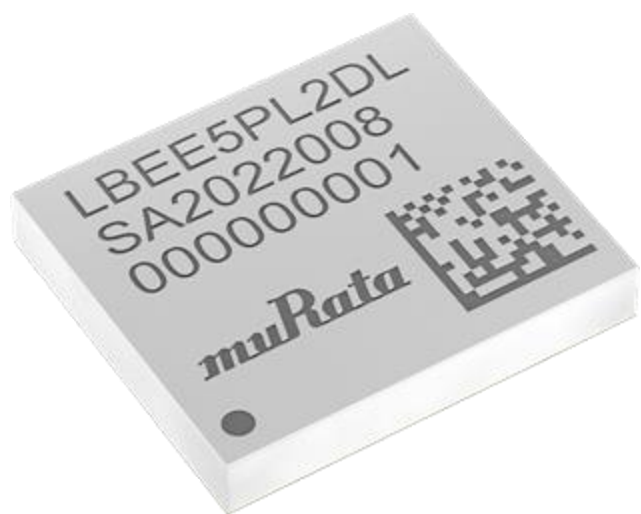


# Type 2DL Wi-Fi® + Bluetooth® Module

NXP IW611 Chipset for 802.11a/b/g/n/ac/ax + Bluetooth 5.3  
Datasheet - Rev. E

- Design Name: Type 2DL
- P/N: LBEE5PL2DL-921



## Table of Contents

1 Scope .....	8
2 Key Features .....	8
3 Ordering Information .....	8
4 Block Diagram .....	9
5 Certification Information .....	10
5.1 Radio Certification .....	10
5.2 Radio Regulatory Certification by Country .....	10
5.3 Bluetooth Qualification .....	10
6 Dimensions, Marking, and Terminal Configurations .....	11
7 Module Pin Description .....	12
7.1 Pin Assignments .....	12
7.2 Pin Descriptions .....	13
7.3 Configuration Pins .....	17
7.4 Pin States .....	17
7.5 SDIO Pin Descriptions .....	19
8 Absolute Maximum Ratings .....	20
9 Operating Conditions .....	21
9.1 Operating Conditions .....	21
9.2 Digital I/O Requirement .....	21
9.3 Package Thermal Conditions .....	22
10 Power Sequence .....	23
10.1 Power-On Sequence .....	23
10.2 Power-Off Sequence .....	24
10.3 Hot Reset Sequence .....	25
11 Interface Timing .....	26
11.1 SDIO Timing (Default Speed Mode) .....	26
11.1.1 Default Speed Mode .....	26
11.1.2 High Speed Mode .....	27
11.1.3 SDR12, SDR25, and SDR50 Modes at 1.8V (up to 100 MHz) .....	28
11.1.4 SDR104 mode (208 MHz) (1.8V) .....	29
11.1.5 DDR50 Mode at 1.8V (50 MHz) .....	30
11.2 UART Timing (Default Mode) .....	32
11.3 Bluetooth PCM Timing .....	33
11.3.1 Master Mode .....	33
11.3.2 Slave Mode .....	34

12 DC/RF Characteristics .....	36
12.1 DC/RF Characteristics for IEEE 802.11b - 2.4 GHz.....	37
12.1.1 High-Rate Condition for IEEE 802.11b - 2.4 GHz .....	37
12.1.2 Low-Rate Condition for IEEE 802.11b - 2.4 GHz .....	38
12.2 DC/RF Characteristics for IEEE 802.11g - 2.4 GHz.....	39
12.2.1 High-Rate Condition for IEEE 802.11g - 2.4 GHz .....	39
12.2.2 Low-Rate Condition for IEEE 802.11g - 2.4 GHz .....	40
12.3 DC/RF Characteristics for IEEE 802.11n - 2.4 GHz.....	41
12.3.1 High-Rate Condition for IEEE 802.11n - 2.4 GHz .....	41
12.3.2 Low-Rate Condition for IEEE 802.11n - 2.4 GHz .....	42
12.4 DC/RF Characteristics for IEEE 802.11ax (HE20) - 2.4 GHz.....	43
12.4.1 High-Rate Condition for IEEE 802.11ax (HE20) - 2.4 GHz .....	43
12.4.2 Low-Rate Condition for IEEE 802.11ax (HE20) - 2.4 GHz .....	44
12.5 DC/RF Characteristics for IEEE 802.11n (HT40) – 2.4 GHz.....	45
12.6 DC/RF Characteristics for IEEE802.11ax (HE40) – 2.4GHz.....	47
12.7 DC/RF Characteristics for IEEE 802.11a - 5 GHz.....	49
12.7.1 High-Rate Condition for IEEE 802.11a - 5 GHz .....	49
12.7.2 Low-Rate Condition for IEEE 802.11a - 5 GHz .....	50
12.8 DC/RF Characteristics for IEEE 802.11n (HT20) - 5 GHz.....	51
12.8.1 DC/RF Characteristics for IEEE 802.11n (HT20) - 5 GHz .....	51
12.8.2 Low-Rate Condition for IEEE 802.11n (HT20) - 5 GHz .....	52
12.9 DC/RF Characteristics for IEEE 802.11ac (VHT20) - 5 GHz .....	53
12.9.1 High-Rate Condition for IEEE 802.11ac (VHT20) - 5 GHz .....	53
12.9.2 Low-Rate Condition for IEEE 802.11ac (VHT20) - 5 GHz.....	54
12.10 DC/RF Characteristics for IEEE 802.11ax (HE20) - 5 GHz.....	55
12.10.1 High-Rate Condition for IEEE 802.11ax (HE20) - 5 GHz .....	55
12.10.2 Low-Rate Condition for IEEE 802.11ax (HE20) - 5 GHz .....	56
12.12.1 High-Rate Condition for IEEE 802.11ac (VHT40) - 5 GHz .....	59
12.12.2 Low-Rate Condition for IEEE 802.11ac (VHT40) - 5 GHz .....	60
12.13 DC/RF Characteristics for IEEE 802.11ax (HE40) - 5 GHz.....	61
12.13.1 High-Rate Condition for IEEE 802.11ax (HE40) - 5 GHz .....	61
12.13.2 Low-Rate Condition for IEEE802.11ax (HE40) - 5 GHz .....	62
12.14 DC/RF Characteristics for IEEE 802.11ac (VHT80) - 5 GHz.....	63
12.14.1 High-Rate Condition for IEEE 802.11ac (VHT80) - 5 GHz .....	63
12.14.2 Low-Rate Condition for IEEE 802.11ac (VHT80) - 5 GHz.....	64
12.15 DC/RF Characteristics for IEEE 802.11ax (HE80) - 5 GHz.....	65
12.15.1 High-Rate Condition for IEEE 802.11ax (HE80) - 5 GHz .....	65

12.15.2 Low-Rate Condition for IEEE 802.11ax (HE80) - 5 GHz .....	66
12.16.1 Basic Data Rate Conditions .....	67
12.16.2 Enhanced Data Rate Conditions .....	68
12.17 DC/RF Characteristics for Bluetooth Low Energy .....	69
12.17.1 1 Mbps PHY Conditions .....	70
12.17.2 2 Mbps PHY Conditions .....	71
Land Pattern .....	72
14 Tape and Reel Packing .....	73
14.1 Dimensions of Tape (Plastic Tape) .....	73
14.2 Dimensions of Reel .....	74
14.3 Taping Diagrams .....	75
14.4 Leader and Tail Tape .....	76
14.5 Packaging (Humidity Proof Packing) .....	77
15 Notice .....	78
15.1 Storage Conditions .....	78
15.2 Handling Conditions .....	78
15.3 Standard PCB Design (Land Pattern and Dimensions) .....	78
15.4 Notice for Chip Placer .....	79
15.5 Soldering Conditions .....	79
15.6 Cleaning .....	79
15.7 Operational Environment Conditions .....	80
16 Precondition to Use Our Products .....	81
Revision History .....	83

## Figures

Figure 1: Block Diagram .....	9
Figure 2: Dimensions and Terminal Configurations Markings .....	11
Figure 3: Structure .....	12
Figure 4: Pin Assignments (Top View) .....	12
Figure 5: SDIO Pin Modes .....	19
Figure 6: Package Thermal Conditions .....	22
Figure 7: Power-On Sequence.....	23
Figure 8: Power-Off Sequence.....	24
Figure 9: Hot Reset Sequence.....	25
Figure 10: SDIO Protocol Timing Diagram - Default Speed Mode.....	26
Figure 11: SDIO Protocol Timing Diagram - High Speed Mode.....	27
Figure 12: SDR12, SDR25, and SDR50 modes at 1.8V (up to 100 MHz).....	28
<b>Figure 13: SDR104 mode at 1.8V (208 MHz) .....</b>	<b>29</b>
Figure 14: DDR50 Mode at 1.8V (50 MHz) .....	30
Figure 15: SDIO DATA Timing Diagram - DDR50 Mode .....	30
Figure 16: UART Timing Default Mode Signals.....	32
Figure 17: Data Signals (Master Mode) .....	33
Figure 18: PCM_SYNC Signals (Master Mode) .....	33
Figure 19: Data Signals (Slave Mode) .....	34
Figure 20: PCM_SYNC Signals (Slave Mode) .....	34
Figure 21: Burst Current Definition.....	36
Figure 22: Land Pattern (in mm) .....	72
Figure 23: Dimensions of Tape (Plastic Tape) .....	73
Figure 24: Dimensions of Reel (Unit: mm) .....	74
Figure 25: Taping Diagrams.....	75
Figure 26: Leader and Tail Tape.....	76
Figure 27: Peeling Force.....	77
Figure 28: Humidity Proof Packing.....	77
Figure 29: Reflow soldering standard conditions (Example).....	79

## Tables

Table 1: Document Conventions .....	7
Table 2: Ordering Information .....	8
Table 3: Certification Information .....	10
Table 4: Markings (Top View) .....	11
Table 5: Dimensions .....	11
Table 6: Terminal Names.....	13
Table 7: Pin Descriptions .....	13
Table 8: Configuration Pins.....	17
Table 9: Pin States .....	17
Table 10: SDIO Pin Descriptions .....	19
Table 11: Absolute Maximum Ratings.....	20
Table 12: Operating conditions .....	21
Table 13: Digital I/O Requirements .....	21
Table 14: Power-On Sequence Parameters.....	23
Table 15: Power-Off Sequence Parameters.....	24
Table 16: Hot Reset Sequence Parameters.....	25
Table 17: SDIO Protocol Timing High Speed Mode Parameters .....	27
Table 18: Parameters for SDR12, SDR25, and SDR50 Modes at 1.8V (up to 100 MHz) .....	28
<b>Table 19: SDIO Protocol Timing Parameters - SDR104 Mode.....</b>	<b>29</b>
Table 20: Parameters for DDR50 Mode at 1.8V (50 MHz) .....	31
Table 21: UART Timing Default Mode Parameters .....	32
Table 22: Master Mode Parameters.....	33
Table 23: Slave Mode Parameters.....	35
Table 24: DC/RF Characteristics and Files .....	36
Table 25: DC/RF Characteristics for IEEE 802.11b - 2.4 GHz.....	37
Table 26: High-Rate Condition for IEEE 802.11b - 2.4 GHz.....	37
Table 27: Low-Rate Condition for IEEE 802.11b - 2.4 GHz.....	38
Table 28: DC/RF Characteristics for IEEE 802.11g - 2.4 GHz.....	39
Table 29: High-Rate Condition for IEEE 802.11g - 2.4 GHz.....	39
Table 30: High-Rate Condition for IEEE 802.11g - 2.4 GHz.....	40
Table 31: DC/RF Characteristics for IEEE 802.11n - 2.4 GHz.....	41
Table 32: High-Rate Condition for IEEE 802.11n - 2.4 GHz.....	41
Table 33: Low-Rate Condition for IEEE 802.11n - 2.4 GHz.....	42
Table 34: DC/RF Characteristics for IEEE 802.11ax (HE20) - 2.4 GHz.....	43
Table 35: High-Rate Condition for IEEE 802.11ax (HE20) - 2.4 GHz .....	43
Table 36: Low-Rate Condition for IEEE 802.11ax (HE20) - 2.4 GHz.....	44
Table 37: Characteristic Values for IEEE 802.11n (HT40) – 2.4 GHz.....	45
<b>Table 38: High-Rate Condition for IEEE 802.11n (HT40) – 2.4 GHz .....</b>	<b>45</b>

<b>Table 39: Low-Rate Condition for IEEE 802.11n (HT40) – 2.4 GHz</b> .....	46
Table 40: Characteristic Values for IEEE802.11ax (HE40) – 2.4GHz.....	47
<b>Table 41: High-Rate Condition for IEEE802.11ax (HE40) – 2.4GHz</b> .....	47
<b>Table 42: Low-Rate Condition for IEEE802.11ax (HE40) – 2.4GHz</b> .....	48
Table 43: DC/RF Characteristics for IEEE 802.11a - 5 GHz.....	49
Table 44: High-Rate Condition for IEEE 802.11a - 5 GHz.....	49
Table 45: Low-Rate Condition for IEEE 802. 11a - 5 GHz.....	50
Table 46: DC/RF Characteristics for IEEE 802.11n (HT20) - 5 GHz.....	51
Table 47: High-Rate Condition for IEEE 802.11n (HT20 MHz) - 5 GHz.....	51
Table 48: Low-Rate Condition for IEEE 802. 11n (HT20) - 5 GHz.....	52
Table 49: DC/RF Characteristics for IEEE 802.11ac (VHT20) - 5 GHz .....	53
Table 50: High-Rate Condition for IEEE 802.11ac (VHT20) - 5 GHz.....	53
Table 51: Low-Rate Condition for IEEE 802.11ac (VHT20) - 5 GHz.....	54
Table 52: DC/RF Characteristics for IEEE 802. 11ax (HE20) - 5 GHz.....	55
Table 53: High-Rate Condition for IEEE 802.11ax (HE20) - 5 GHz.....	55
Table 54: Low-Rate Condition for IEEE 802.11n (HT20) - 5 GHz.....	56
Table 55: Characteristic Values for IEEE 802.11n (HT40) - 5 GHz .....	57
<b>Table 56: Low-Rate Condition for IEEE 802.11n (HT40) - 5 GHz</b> .....	58
Table 57: DC/RF Characteristics for IEEE 802.11ac (VHT40) - 5 GHz .....	59
Table 58: High-Rate Condition for IEEE 802.11 ac (VHT40) - 5 GHz.....	59
Table 59: Low-Rate Condition for IEEE 802.11 ac (VHT40) - 5 GHz.....	60
Table 60: DC/RF Characteristics for IEEE 802.11ax (HE40) - 5 GHz.....	61
Table 61: High-Rate Condition for IEEE802.11ax (HE40) - 5 GHz.....	61
Table 62: Low-Rate Condition for IEEE802.11ax (HE40) - 5 GHz.....	62
Table 63: DC/RF Characteristics for IEEE 802.11ac (VHT80) - 5 GHz .....	63
Table 64: High-Rate Condition for IEEE 802.11ac (VHT80) - 5 GHz.....	63
Table 65: Low-Rate Condition for IEEE 802.11ac (VHT80) - 5 GHz.....	64
Table 66: DC/RF Characteristics for IEEE 802.11ac (HE80) - 5 GHz.....	65
Table 67: High-Rate Condition for IEEE 802.11ax (HE80) - 5 GHz.....	65
Table 68: Low-Rate Condition for IEEE 802.11ax (HE80) - 5 GHz.....	66
Table 69: DC/RF Characteristics for Bluetooth .....	67
Table 70: Basic Data Rate Conditions .....	67
Table 71: Enhanced Data Rate Conditions .....	68
Table 72: DC/RF Characteristics for Bluetooth Low Energy .....	69
Table 73: 1 Mbps PHY Conditions .....	70
Table 74: 2 Mbps PHY Conditions .....	71
Table 75: Taping Specifications .....	75

## About This Document

Murata's Type 2DL is a small and high-performance module based on NXP's IW611 combo chipset, supporting IEEE 802.11a/b/g/n/ac/ax + Bluetooth 5.3 BR/EDR/LE. This datasheet describes Type 2DL module in detail.



Please be aware that an important notice concerning availability, standard warranty and use in critical applications of Murata products and disclaimers thereto appears at the end of this specification sheet.









## Audience & Purpose

Intended audience includes any customer looking to integrate this module into their product. In particular, RF, hardware, software, and systems engineers.

## Document Conventions

**Table 1** describes the document conventions.

**Table 1: Document Conventions**


Conventions	Description
	<b>Warning Note</b> Indicates very important note. Users are strongly recommended to review.
	<b>Info Note</b> Intended for informational purposes. Users should review.
	<b>Menu Reference</b> Indicates menu navigation instructions. <b>Example:</b> Insert → Tables → Quick Tables → Save Selection to Gallery 
	<b>External Hyperlink</b> This symbol indicates a hyperlink to an external document or website. <b>Example:</b> <a href="#">Embedded Artists AB</a>  Click on the text to open the external link.
	<b>Internal Hyperlink</b> This symbol indicates a hyperlink within the document. <b>Example:</b> <a href="#">Scope</a>  Click on the text to open the link.
<code>Console input/output or code snippet</code>	<b>Console I/O or Code Snippet</b> This text <b>Style</b> denotes console input/output or a code snippet.
<code># Console I/O comment // Code snippet comment</code>	<b>Console I/O or Code Snippet Comment</b> This text <b>Style</b> denotes a console input/output or code snippet comment. <ul style="list-style-type: none"> <li>• Console I/O comment (preceded by "#") is for informational purposes only and does not denote actual console input/output.</li> <li>• Code Snippet comment (preceded by "//") may exist in the original code.</li> </ul>



## 1 Scope

This specification characterizes the IEEE 802.11a/b/g/n/ac/ax WLAN + Bluetooth 5.3 BR/EDR/LE combo module.

## 2 Key Features

- ◆ NXP IW611 inside
- ◆ Supports IEEE 802.11a/b/g/n/ac/ax specifications: Dual band 2.4 GHz and 5 GHz
- ◆ SISO with 20, 40 and 80 MHz channels
- ◆ Up to MCS11 data rates (601 Mbps)
- ◆ Supports Bluetooth specification version 5.3
- ◆ For supported Bluetooth functions, refer to [Bluetooth SIG site](#) 
- ◆ WLAN interface: SDIO 3.0
- ◆ Bluetooth interface: HCI UART
- ◆ Temperature Range: - 40 °C to 85 °C
- ◆ Dimensions: 8.8 x 7.7 x 1.3 mm
- ◆ Weight: 0.22 g
- ◆ MSL: 3
- ◆ Surface-mount type
- ◆ RoHS compliant
- ◆ Total Fit : 54

## 3 Ordering Information

The part number and associated ordering information is shown in **Table 2**.

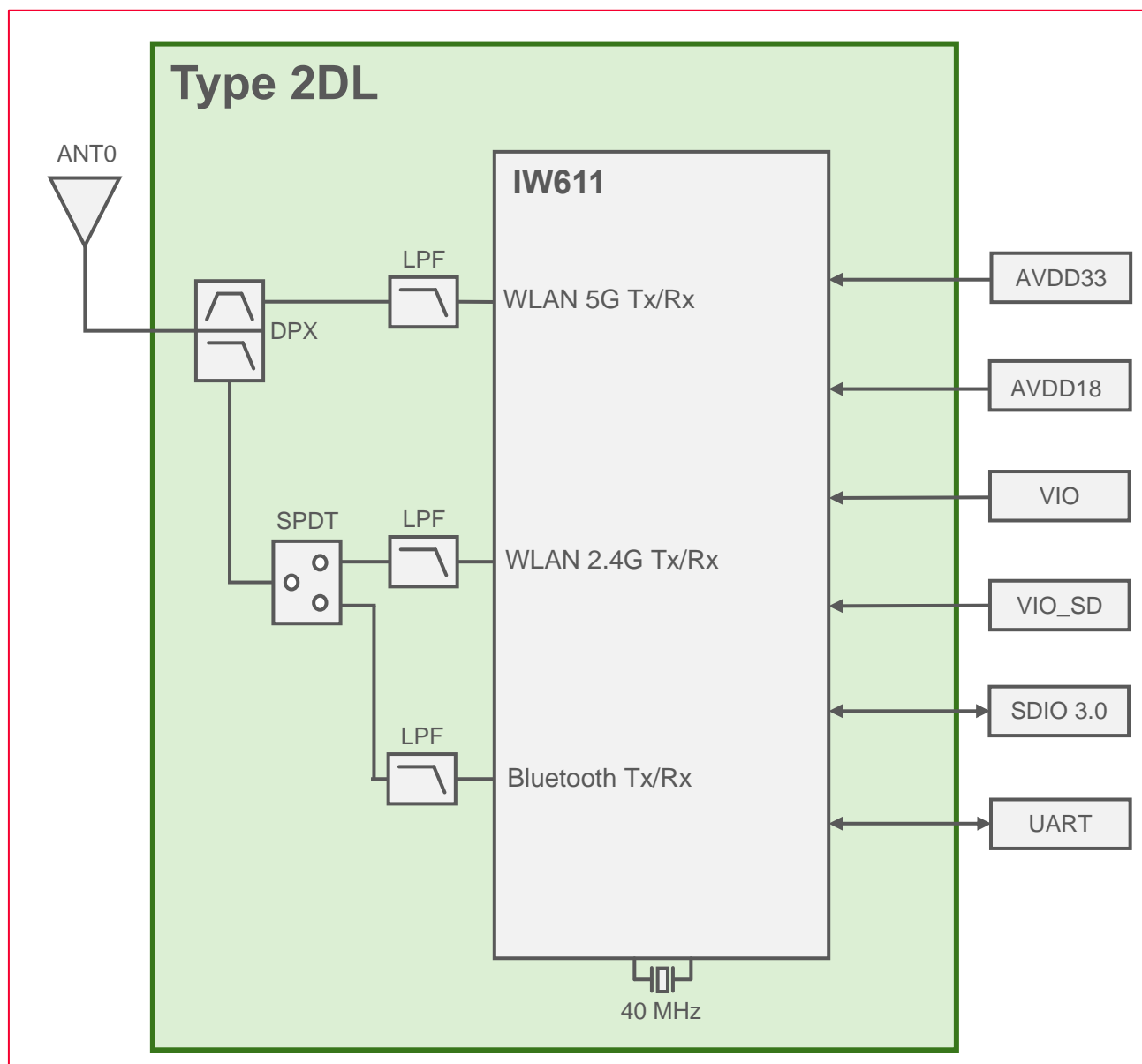
**Table 2: Ordering Information**

Ordering Part Number	Description
LBEE5PL2DL-921	Module order
LBEE5PL2DL-SMP	Sample module order (If module samples are not available through distribution, contact Murata referencing this part number)
LBEE5PL2DL-EVB	Murata Type 2DL M.2 EVB (contact Murata as this is special order item)

## 4 Block Diagram

Figure 1 shows the block diagram.

Figure 1: Block Diagram



## 5 Certification Information

This section describes the radio and Bluetooth qualification.

### 5.1 Radio Certification

**Table 3** describes the certification information.

**Table 3: Certification Information**

Country	ID	Country Code	Tx Power Limit File	
			Linux	FreeRTOS
USA (FCC)	VPYLBES5PL2EL	US	txpower_US.bin	TBD
Canada (IC)	772C-LBES5PL2EL	CA	txpower_CA.bin	TBD
Europe	EN300328/301893, EN300440 conducted test report is prepared.	DE	txpower_EU.bin	TBD
Japan	Japanese type certification is prepared. [R] 001-P02019	JP	txpower_JP.bin	TBD

### 5.2 Radio Regulatory Certification by Country

Murata have prepared the document about Radio Regulatory Certification separately.

This document is designed to ensure that module manufacturers correctly communicate the necessary information to host manufacturers that incorporate their modules.

Refer to [\[Regulatory Information\] : Type 2DL Radio Law Approval Application Note](#) for Radio Law Certification user manual.



If you don't follow the rule written in Type 2DL Radio Law Approval Application Note, there is a risk of conflict Radio Law Certification.

Please be sure to check the documents.

### 5.3 Bluetooth Qualification

- QDID: 202018
- Set Bluetooth Tx Power to Class 1 by using [bt\\_power\\_config\\_1.sh](#).
- For supported Bluetooth functions, refer to [Bluetooth SIG site](#).

## 6 Dimensions, Marking, and Terminal Configurations

The dimensions, marking, and terminal configurations are labelled in **Figure 2**.

**Figure 2: Dimensions and Terminal Configurations Markings**

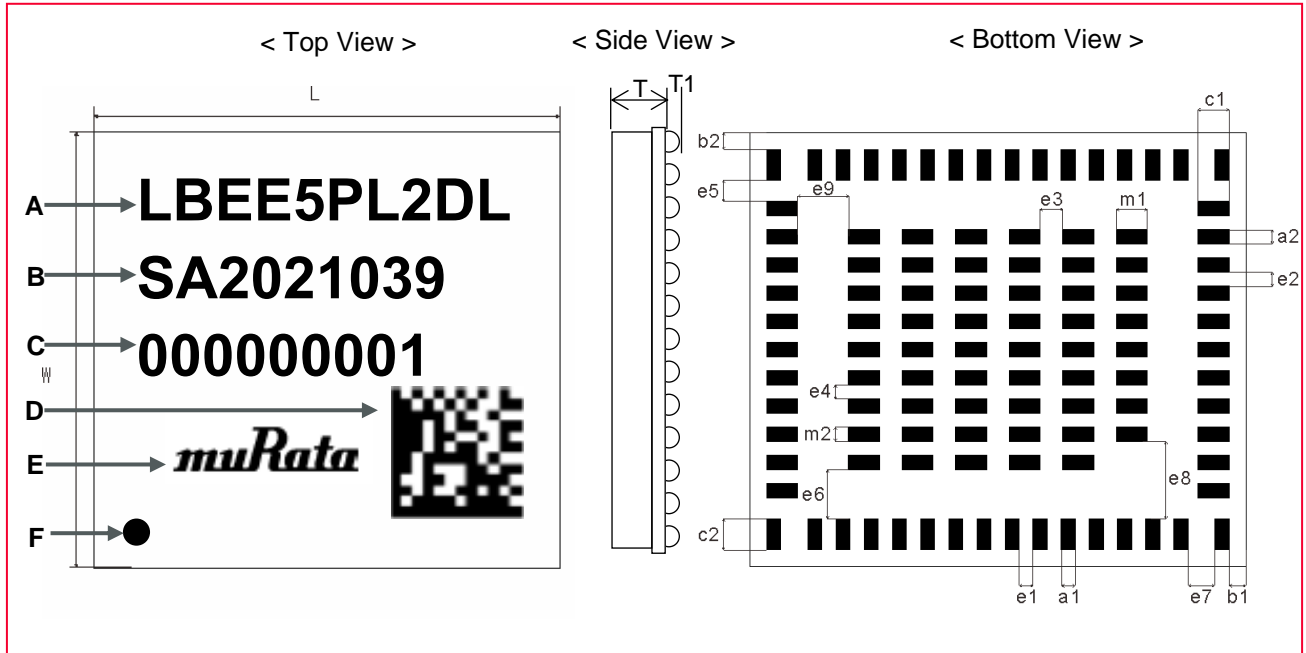


Table 4 and Table 5 describes the marking labels for the top and bottom view as shown in Figure 2.

**Table 4: Markings (Top View)**

Marking	Meaning
A	Module Type
B	Inspection Number
C	Serial Number
D	2D code
E	Murata Logo
F	Pin 1 Marking

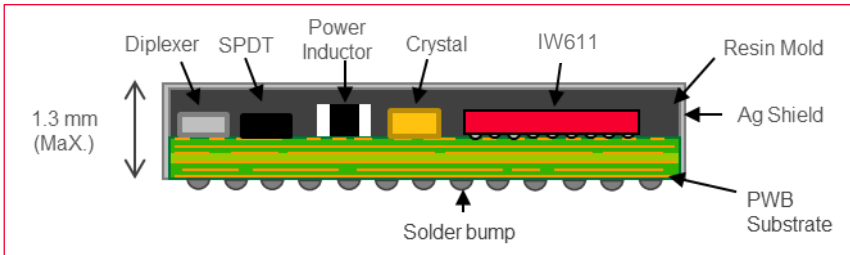
**Table 5: Dimensions**

Mark	Dimensions (mm)	Mark	Dimensions (mm)	Mark	Dimensions (mm)
L	8.8 +/- 0.2	W	7.7 +/- 0.2		
T	1.3 maximum	T1	0.04 typical (Bump)		
a1	0.25 +/- 0.1	a2	0.25 +/- 0.1	b1	0.3 +/- 0.2
b2	0.3 +/- 0.2	c1	0.55 +/- 0.1	c2	0.55 +/- 0.1
e1	0.25 +/- 0.1	e2	0.25 +/- 0.1	e3	0.4 +/- 0.1

e4	0.25 +/- 0.1	e5	0.375 +/- 0.1	e6	0.875 +/- 0.1
e7	0.475 +/- 0.1	e8	1.375 +/- 0.1	e9	0.9 +/- 0.1
m1	0.55 +/- 0.1	m2	0.25 +/- 0.1		

Figure 3 shows the Type 2DL structure.

Figure 3: Structure



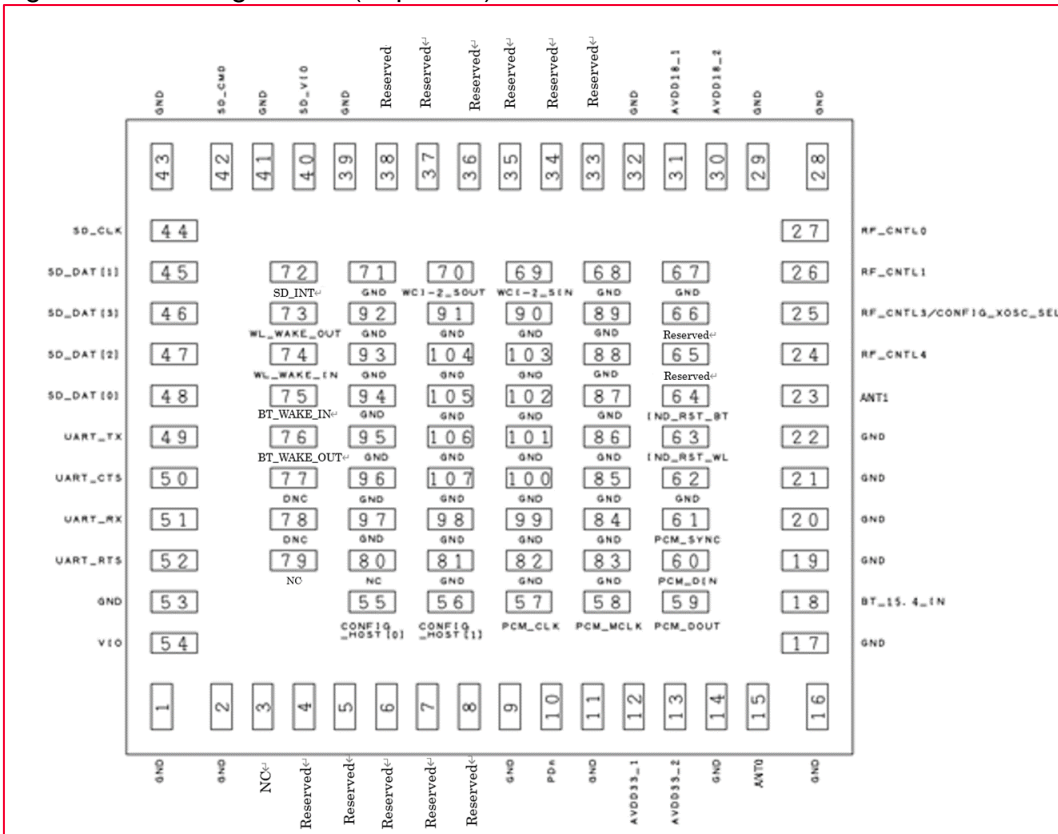
## 7 Module Pin Description

This section has the Pin descriptions of Type 2DL and pin assignments layout descriptions.

### 7.1 Pin Assignments

Type 2DL pin-assignment top view is presented in Figure 4.

Figure 4: Pin Assignments (Top View)



The terminal names are listed in **Table 6**.

**Table 6: Terminal Names**

No.	Terminal Name	No.	Terminal Name	No.	Terminal Name
1	GND	29	GND	57	PCM_CLK
2	GND	30	AVDD18_2	58	PCM_MCLK
3	NC	31	AVDD18_1	59	PCM_DOUT
4	Reserved	32	GND	60	PCM_DIN
5	Reserved	33	Reserved	61	PCM_SYNC
6	Reserved	34	Reserved	62	GND
7	Reserved	35	Reserved	63	IND_RST_WL
8	Reserved	36	Reserved	64	IND_RST_BT
9	GND	37	Reserved	65	Reserved
10	PDn	38	Reserved	66	Reserved
11	GND	39	GND	67	GND
12	AVDD33_1	40	SD_VIO	68	GND
13	AVDD33_2	41	GND	69	WCI-2_SIN
14	GND	42	SD_CMD	70	WCI-2_SOUT
15	ANT0	43	GND	71	GND
16	GND	44	SD_CLK	72	SD_INT
17	GND	45	SD_DAT[1]	73	WL_WAKE_OUT
18	BT_IN	46	SD_DAT[3]	74	WL_WAKE_IN
19	GND	47	SD_DAT[2]	75	BT_WAKE_IN
20	GND	48	SD_DAT[0]	76	BT_WAKE_OUT
21	GND	49	UART_TX	77	NC
22	GND	50	UART_CTS	78	NC
23	ANT1	51	UART_RX	79	NC
24	RF_CNTL4	52	UART_RTS	80	NC
25	RF_CNTL3/CONFIG_XOSC_SEL	53	GND	81 - 107	GND
26	RF_CNTL1	54	VIO		
27	RF_CNTL0	55	CONFIG_HOST[0]		
28	GND	56	CONFIG_HOST[1]		

## 7.2 Pin Descriptions

**Table 7** lists the pin descriptions of Type 2DL.

**Table 7: Pin Descriptions**

No.	Terminal name	Type	Connection to IC Terminal	Description
1	GND			Ground
2	GND			Ground
3	NC		NC	Not Connected
4	Reserved	I/O	GPIO[20]	Multi-functional pin: GPIO[20]. Input/output NC when not in use.
5	Reserved	I/O	GPIO[14]	Multi-functional pin: GPIO[14]. Input/output NC when not in use.
6	Reserved	I/O	GPIO[15]	Multi-functional pin: GPIO[15]. Input/output NC when not in use.
7	Reserved	I/O	GPIO[12]	Multi-functional pin: GPIO[12]. Input/output NC when not in use.

No.	Terminal name	Type	Connection to IC Terminal	Description
8	Reserved	I/O	GPIO[13]	Multi-functional pin: GPIO[13]. Input/output NC when not in use.
9	GND			Ground
10	PDn	I	PDn	Full Power-down (input) (active low) 0 = full power-down mode 1 = normal mode  PDn can accept an input of 1.8V to 4.5V PDn may be driven by the host. PDn must be high for normal operation. No internal pull-up on this pin. This pin has an always-on internal weak pull-down.
11	GND			Ground
12	AVDD33_1	Power	AVDD33	Power supply
13	AVDD33_2	Power	AVDD33	Power supply
14	GND			Ground
15	ANT0	I/O		ANT0 is WLAN output and it's also used for BT output when SANT mode.
16	GND			Ground
17	GND			Ground
18	BT_IN	I		BT in (Feedback)
19	GND			Ground
20	GND			Ground
21	GND			Ground
22	GND			Ground
23	ANT1	O		ANT1 is BT output, and it should be connected to BT_IN when SANT mode.
24	RF_CNTL4	I/O	RF_CNTL4	RF control line 4
25	RF_CNTL3/ CONFIG_XOSC_SEL	I/O	F_CNTL3/ CONFIG_XOSC_SEL	Reference clock frequency select 1=40 MHz RF control line 3
26	RF_CNTL1	O		RF control line 1
27	RF_CNTL0	O		RF control line 0
28	GND			Ground
29	GND			Ground
30	AVDD18_2	Power		Power supply
31	AVDD18_1	Power		Power supply
32	GND			Ground
33	Reserved	I/O	GPIO[31]/JTAG_TDO	Programable GPIO Pin. (JTAG_TDO) <sup>1</sup>
34	Reserved	I/O	GPIO[29]/JTAG_TMS	Programable GPIO Pin. (JTAG_TMS) <sup>1</sup>
35	Reserved	I/O	GPIO[28]/JTAG_TCK	Programable GPIO Pin. (JTAG_TCK) <sup>1</sup>
36	Reserved	I/O	GPIO[30]/JTAG_TDI	Programable GPIO Pin. (JTAG_TDI) <sup>1</sup>
37	Reserved	I/O	GPIO[22]	Programable GPIO Pin. NC when not in use.
38	Reserved	I/O	GPIO[24]	Multi-functional pin: GPIO[24] input/output NC when not in use.
39	GND			Ground
40	SD_VIO	Power		Power supply
41	GND			Ground

<sup>1</sup> NXP internal use only

No.	Terminal name	Type	Connection to IC Terminal	Description
42	SD_CMD	I/O	SD_CMD	SDIO 4-bit mode: Command/response (input/output) SDIO 1-bit mode: Command line (input/output)
43	GND			Ground
44	SD_CLK	I	SD_CLK	SDIO 4-bit mode: Clock input SDIO 1-bit mode: Clock input
45	SD_DAT[1]	I/O	SD_DAT[1]	SDIO 4-bit mode: Data line bit [1] SDIO 1-bit mode: Interrupt
46	SD_DAT[3]	I/O	SD_DAT[3]	SDIO 4-bit mode: Data line bit [3] SDIO 1-bit mode: Reserved
47	SD_DAT[2]	I/O	SD_DAT[2]	SDIO 4-bit mode: Data line bit[2] or read wait (optional) SDIO 1-bit mode: Read wait (optional)
48	SD_DAT[0]	I/O	SD_DAT[0]	SDIO 4-bit mode: Data line bit[0] SDIO 1-bit mode: Interrupt.
49	UART_TX	I/O	UART_TX	UART serial output signal
50	UART_CTS	I/O	UART_CTS	UART clear-to-send input signal.
51	UART_RX	I/O	UART_RX	UART serial input signal
52	UART_RTS	I/O	UART_RTS	UART request-to-send output signal
53	GND			Ground
54	VIO	Power		Power supply.
55	CONFIG_HOST[0]	I	CONFIG_HOST[0]	Firmware Boot Option Refer to <a href="#">Section 7.3</a> .
56	CONFIG_HOST[1]	I	CONFIG_HOST[1]	Firmware Boot Option Refer to <a href="#">Section 7.3</a> .
57	PCM_CLK	I/O	GPIO[4]/PCM_CLK	GPIO[4] input/output PCM clock signal. · Central mode: output · Peripheral mode: input  I2S audio bit clock. · Central mode: output · Peripheral mode: input
58	PCM_MCLK	I/O	GPIO[3]/PCM_MCLK	GPIO[3] input/output PCM codec main clock signal (optional). Optional clock used for some codecs. Derived from PCM_CLK.  I2S clock output signal Optional clock used for some codecs. Derived from I2S_BCLK.
59	PCM_DOUT	I/O	GPIO[5]/PCM_DOUT	GPIO[5] input/output PCM transmit data signal (output). *Connect to PCM audio codec input data (for playback).  I2S_DOUT - I2S transmit data signal (output). I2S audio codec input data (for playback).
60	PCM_DIN	I/O	GPIO[6]/PCM_DIN	GPIO[6] input/output PCM transmit data signal (input). *Connect to PCM audio codec output data (for recording).  I2S_DIN - I2S receive data signal (input). PCM audio codec output data (for recording).



No.	Terminal name	Type	Connection to IC Terminal	Description
61	PCM_SYNC	I/O	GPIO[7]/PCM_SYNC	GPIO[7] input/output PCM sync pulse signal (output if master, input if slave). · Central mode: output · Peripheral mode: input  I2S_LRCLK - I2S left/right clock (output if master, input if slave). · Central mode: output · Peripheral mode: input
62	GND			Ground.
63	IND_RST_WL	I/O	GPIO[1]/IND_RST_WL	Independent software reset for Wi-Fi Multi-functional pin: GPIO[1] input/output.
64	IND_RST_BT	I/O	GPIO[2]/IND_RST_BT	Independent software reset for Bluetooth <sup>2</sup> . Multi-functional pin: GPIO[2] input/output.
65	Reserved	I/O	GPIO[27]	Programmable GPIO Pin <sup>3</sup>
66	Reserved	I/O	GPIO[23]	Programmable GPIO Pin <sup>3</sup>
67	GND			Ground
68	GND			Ground
69	WCI-2_SIN	I/O	GPIO[25]/WCI-2_SIN	Input signal from external radio. Multi-functional pin: GPIO[25] input/output
70	WCI-2_SOUT	I/O	GPIO[26]/WCI-2_SOUT	Output signal to external radio. Multi-functional pin: GPIO[26] input/output External radio coexistence interface
71	GND			Ground
72	SD_INT	I/O	GPIO[21]/SD_INT	Out-of-band SDIO interface interrupt signal output. Multi-functional pin: GPIO[21] input/output.
73	WL_WAKE_OUT	I/O	GPIO[17]/WL_WAKE_OUT	Wi-Fi radio wake-up output signal. <b>Multi-functional pin:</b> GPIO[17] input/output.
74	WL_WAKE_IN	I/O	GPIO[16]/WL_WAKE_IN	Wi-Fi radio wake-up input signal. <b>Multi-functional pin:</b> GPIO[16] input/output.
75	BT_WAKE_IN	I/O	GPIO[18]/BT_WAKE_IN	Bluetooth radio wake-up input signal. <b>Multi-functional pin:</b> GPIO[18] input/output.
76	BT_WAKE_OUT	I/O	GPIO[19]/BT_WAKE_OUT	Bluetooth radio wake-up output signal. <b>Multi-functional pin:</b> GPIO[19] input/output
77	NC		NC	Not connected
78	NC		NC	Not connected
79	NC		NC	Not connected
80	NC		NC	Not connected
81-107	GND			Ground

<sup>2</sup> The request to reset either Bluetooth radio leads to reinitialization of both radios.

<sup>3</sup> NC when not in use.

## 7.3 Configuration Pins

**Table 8** describes the configuration pins.

**Table 8: Configuration Pins**

CONFIG_HOST[0]	CONFIG_HOST[1]	WLAN	Bluetooth/ Bluetooth LE	Remarks
1	1	SDIO	UART	Default
Others	Others	Reserved	Reserved	Reserved

## 7.4 Pin States

Pin states information for the tables below include:

- After firmware is downloaded, the pads (GPIO, Serial interface, RF control) are programmed in functional mode per the functionality of the pins.
- For SDIO, once the command is received from the host, the pads are configured accordingly.
- Pull-up and pull-down are only effective when the pad is in input mode.
- The power-down state shown is the default configuration. Many pads have programmable power-down values, which can be set by firmware.
- Do not need any termination to the open pins that have an Internal Pull-up/Pull-down resistor (PU/PD). Do not need any termination to the open pins in output mode.

**Table 9** describes the pin states.

**Table 9: Pin States**

Pin Name	Supply	No Pad Power State	Reset State	HW State	PD State	PD Prog	Internal PU/PD	Internal Pull Value
GPIO[13]	VIO	tristate	input	input	drive high	yes	nominal PU	90k $\Omega$
GPIO[20]	VIO	tristate	input	input	Drive low	yes	nominal PU	90k $\Omega$
GPIO[14]	VIO	tristate	input	input	tristate	yes	nominal PU	90k $\Omega$
GPIO[15]	VIO	tristate	output low	output low	drive low	yes	nominal PU	90k $\Omega$
GPIO[12]	VIO	tristate	input	input	tristate	yes	nominal PU	90k $\Omega$
GPIO[22]	VIO	tristate	output high	output low	tristate	yes	nominal PU	90k $\Omega$
UART_TX	VIO	tristate	output high	output high	drive low	yes	nominal PU	90k $\Omega$
UART_CTS	VIO	tristate	input	input	tristate	yes	nominal PU	90k $\Omega$
UART_RX	VIO	tristate	input	input	tristate	yes	nominal PU	90k $\Omega$
UART_RTS	VIO	tristate	output high	output high	drive high	yes	nominal PU	90k $\Omega$
PCM_CLK	VIO	tristate	input	input	tristate	yes	weak PU	800k $\Omega$
PCM_MCLK	VIO	tristate	input	input	tristate	yes	nominal PU	90k $\Omega$
PCM_DOUT	VIO	tristate	input	input	tristate	yes	weak PU	800k $\Omega$
PCM_DIN	VIO	tristate	input	input	tristate	yes	weak PU	800k $\Omega$

Pin Name	Supply	No Pad Power State	Reset State	HW State	PD State	PD Prog	Internal PU/PD	Internal Pull Value
PCM_SYNC	VIO	tristate	input	input	tristate	yes	nominal PU	90k $\Omega$
IND_RST_WL	VIO	tristate	input	input	tristate	yes	nominal PU	90k $\Omega$
IND_RST_BT	VIO	tristate	input	input	tristate	yes	nominal PU	90k $\Omega$
GPIO[27]	VIO	tristate	input	input	tristate	yes	weak PU	800k $\Omega$
GPIO[23]	VIO	tristate	input	input	tristate	yes	nominal PU	90k $\Omega$
WCI-2_SIN	VIO	tristate	input	input	tristate	yes	nominal PU	90k $\Omega$
WCI-2_SOUT	VIO	tristate	input	input	tristate	yes	nominal PU	90k $\Omega$
SD_INT	VIO	tristate	output high	output low	drive low	yes	nominal PU	90k $\Omega$
WL_WAKE_OUT	VIO	tristate	input	input	drive low	yes	nominal PU	90k $\Omega$
WL_WAKE_IN	VIO	tristate	input	input	tristate	yes	weak PU	800k $\Omega$
BT_WAKE_IN	VIO	tristate	input	input	tristate	yes	weak PU	800k $\Omega$
BT_WAKE_OUT	VIO	tristate	input	input	drive low	yes	nominal PU	90k $\Omega$
XOSC_EN	VIO	tristate	input	input	drive low	yes	nominal PU	90k $\Omega$
RF_CNTL4	VIO	tristate	input	input	drive low	yes	weak PU	800k $\Omega$
RF_CNTL3/CONFIG_XOSC_SEL	VIO	tristate	input	input	drive high	yes	weak PU	800k $\Omega$
RF_CNTL1	VIO	tristate	output high	output high	drive high	yes	weak PU	800k $\Omega$
RF_CNTL0	VIO	tristate	output low	output low	drive low	yes	nominal PU	90k $\Omega$
SD_CMD	VIO_SD	tristate	input	input	tristate	yes	nominal PU	90k $\Omega$
SD_CLK	VIO_SD	tristate	input	input	tristate	yes	nominal PU	90k $\Omega$
SD_DAT[1]	VIO_SD	tristate	input	input	tristate	yes	nominal PU	90k $\Omega$
SD_DAT[3]	VIO_SD	tristate	input	input	tristate	yes	nominal PU	90k $\Omega$
SD_DAT[2]	VIO_SD	tristate	input	input	tristate	yes	nominal PU	90k $\Omega$
SD_DAT[0]	VIO_SD	tristate	Input	Input	Tristate	yes	nominal PU	90k $\Omega$
CONFIG_HOST[0]	AVDD18	tristate	Input	Input	Tristate	no	weak PU	800k $\Omega$
CONFIG_HOST[1]	AVDD18	tristate	Input	Input	Tristate	no	weak PU	800k $\Omega$
PDn	AVDD33						weak PD	51k $\Omega$

## 7.5 SDIO Pin Descriptions

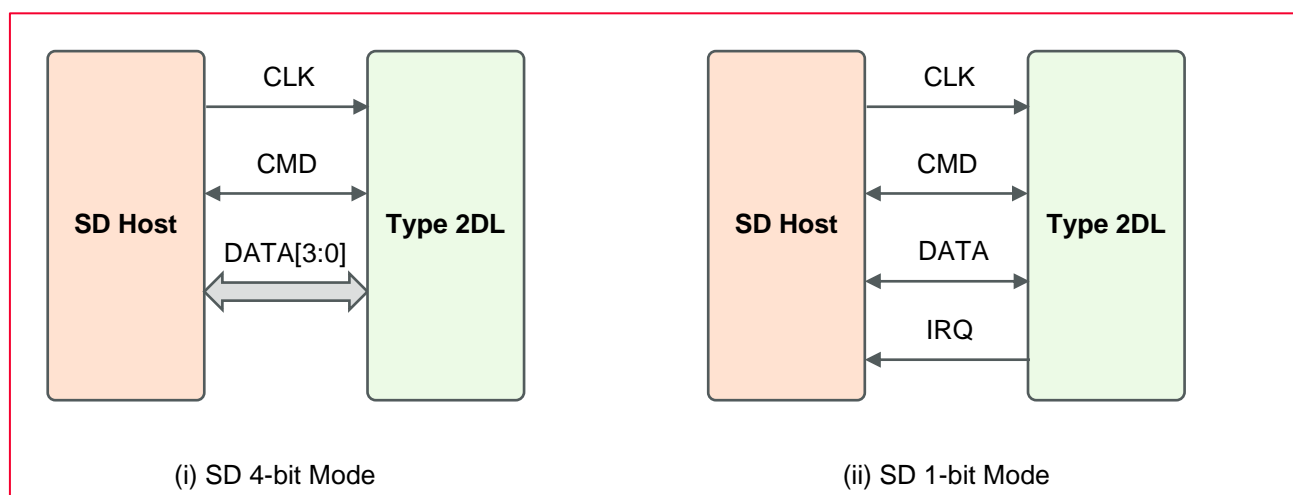
SDIO pins are described in **Table 10**.

**Table 10: SDIO Pin Descriptions**

No.	Pin Name	(i) SD 4-bit Mode		(ii) SD 1-bit Mode	
4	SDIO_CLK	CLK	Clock	CLK	Clock
5	SDIO_D0	DATA0	Data line 0	DATA	Data line
45	SDIO_D1	DATA1	Data line 1	IRQ	Interrupt
3	SDIO_D2	DATA2	Data line 2	RW	Read wait (optional)
46	SDIO_D3	DATA3	Data line 3	NC	Reserved
6	SDIO_CMD	CMD	Command/response	CMD	Command line

**Figure 5** shows the SDIO Pin Modes.

**Figure 5: SDIO Pin Modes**



## 8 Absolute Maximum Ratings

**Table 11** Shows the absolute maximum rating values.

**Table 11: Absolute Maximum Ratings**

Parameter	Minimum	Maximum	Unit
Storage Temperature	-50	+85	°C
Supply Voltage	AVDD33	3.96	V
	AVDD18	2.16	V
	SD_VIO 1.8V/3.3V	2.16	V
		3.96	V
VIO 1.8V/3.3V	2.16	V	
	3.96	V	



Stresses in excess of the absolute ratings may cause permanent damage. Functional operation is not implied under these conditions. Exposure to absolute ratings for extended periods of time may adversely affect reliability. No damage assuming only one parameter is set at limit at a time with all other parameters are set within operating condition.

## 9 Operating Conditions

### 9.1 Operating Conditions

**Table 12** shows the operating conditions for Type 2DL.

**Table 12: Operating conditions**

Parameter	Minimum	Typical	Maximum	Unit	
Operating Temperature	-40	25	+85	°C	
Supply Voltage	AVDD33	3.14	3.3	3.46	V
	AVDD18	1.71	1.8	1.89	V
	SD_VIO/VIO = 1.8V	1.71	1.8	1.89	V
	SD_VIO/VIO = 3.3V	3.14	3.3	3.46	V
Peak Current	AVDD33		420	mA	
	AVDD18		1009	mA	



Operation beyond the recommended operating conditions is neither recommended nor guaranteed. Peak current is happened during DPD calibration when the firmware is downloaded.

### 9.2 Digital I/O Requirement

**Table 13** describes the digital input and output requirements.

**Table 13: Digital I/O Requirements**

Symbol	Parameter	Condition	Minimum	Typical	Maximum	Unit
V <sub>IO</sub>	I/O pad supply voltage		1.71	1.8	1.89	V
V <sub>IH</sub>	Input high voltage		0.7*V <sub>IO</sub>		V <sub>IO</sub> +0.4	V
V <sub>IL</sub>	Input low voltage		-0.4		0.3*V <sub>IO</sub>	V
V <sub>HYS</sub>	Input hysteresis		100			mV
V <sub>OH</sub>	Output high voltage		V <sub>IO</sub> -0.4			V
V <sub>OL</sub>	Output low voltage				0.4	V

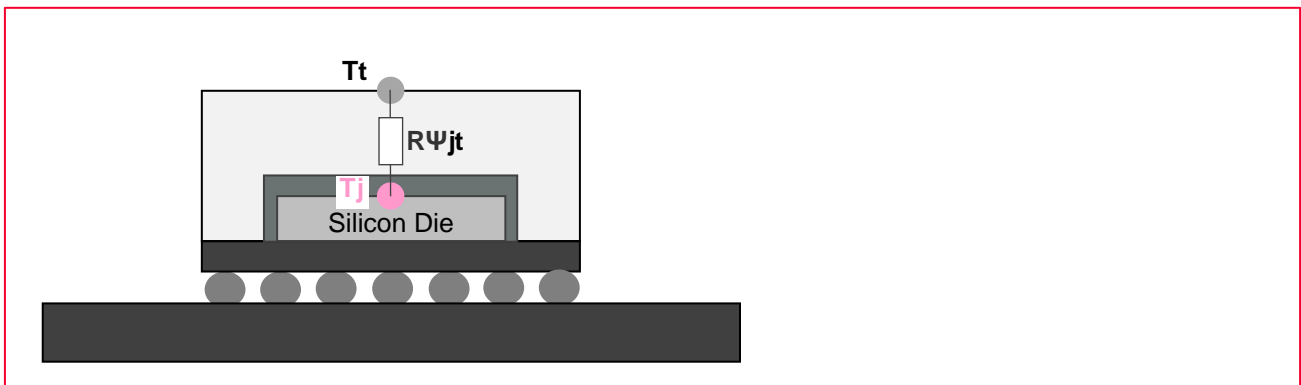
## 9.3 Package Thermal Conditions

- $R\psi_{jt} : 3.12 \text{ }^\circ\text{C/W}$
- $R\psi_{jt} = (T_j - T_t)/P$



$T_j$ : Junction temperature ( $^\circ\text{C}$ ),  $T_t$ : Top temperature ( $^\circ\text{C}$ ),  $P$ : Total Power Consumption (W)

**Figure 6: Package Thermal Conditions**



# 10 Power Sequence

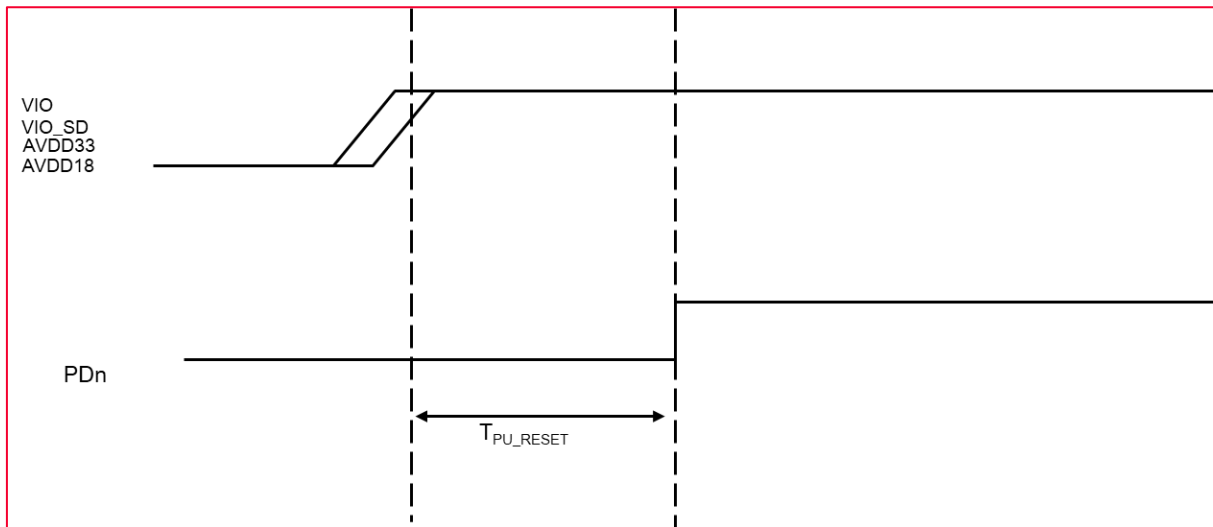
This section describes the power on and power off sequences and host rest sequence.

## 10.1 Power-On Sequence

VIO, VIO\_SD, AVDD33, and AVDD18 can be power upped with 0 second minimum. The PDn signal when it is asserted (low) while all power supplies to the devices are high.

The power-on sequence is shown in **Figure 7**.

**Figure 7: Power-On Sequence**



PDn pin (power-off) specifications - Power remains high at PDn assertion.

The power-on sequence parameters is described in **Table 14**.

**Table 14: Power-On Sequence Parameters**

Symbol	Parameter	Condition	Minimum	Typical	Maximum	Unit
T <sub>VIO_AVDD</sub>	Power up timing of VIO, VIO_SD, AVDD33, and VIO18		0			ms
T <sub>PU_RESET</sub>	Valid power to PDn de-asserted		0			ms
V <sub>IH</sub>	Input high voltage		1.4		4.5	V
V <sub>IL</sub>	Input low voltage		-0.4		0.5	V



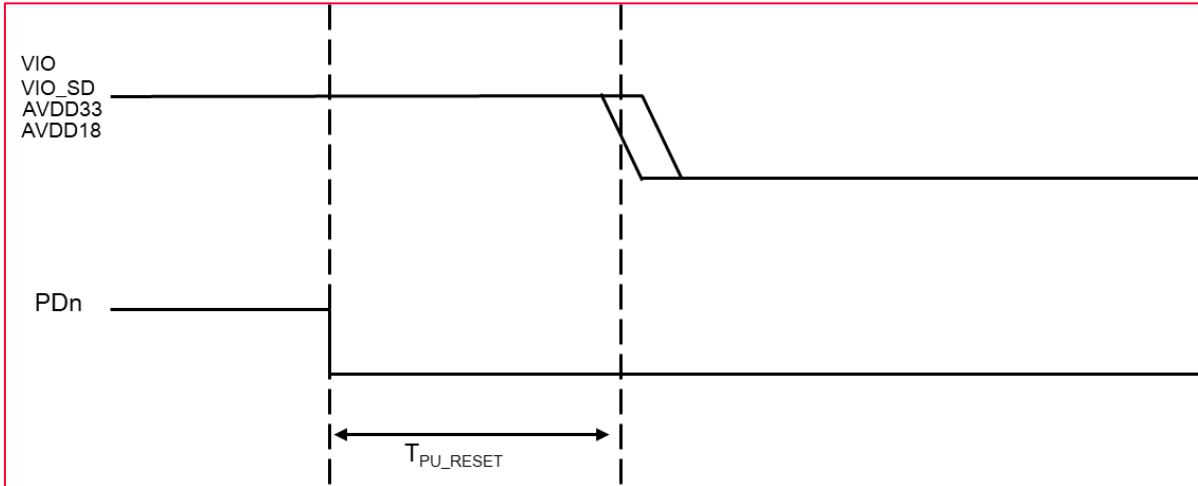
Minimum value guaranteed for a valid rest. Smaller values may put the device in an undefined state.



## 10.2 Power-Off Sequence

The power-off sequence is shown in **Figure 8**.

**Figure 8: Power-Off Sequence**



The power-off sequence parameters is described in **Table 15**.

**Table 15: Power-Off Sequence Parameters**

Symbol	Parameter	Condition	Minimum	Typical	Maximum	Unit
$T_{VIO\_AVDD}$	Power up timing of VIO, VIO_SD, AVDD33, and VIO18		0			ms
$T_{PU\_RESET}$	Valid power to PDn de-asserted		0			ms
$V_{IH}$	Input high voltage		1.4		4.5	V
$V_{IL}$	Input low voltage		-0.4		0.5	V

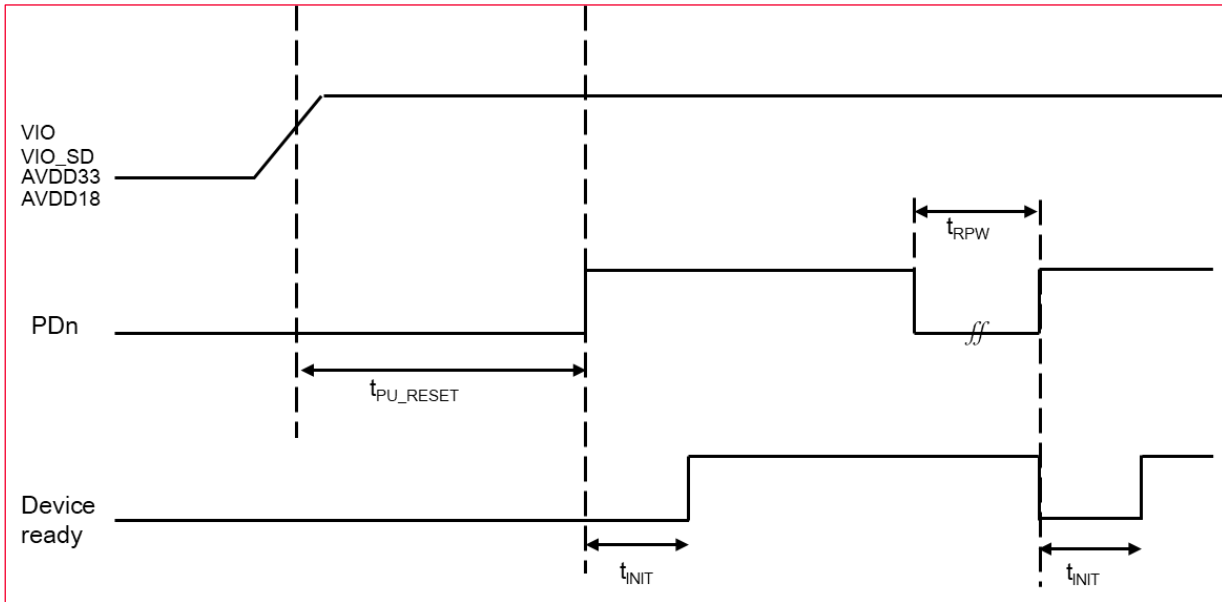


Minimum value guaranteed for a valid rest. Smaller values may put the device in an undefined state.

## 10.3 Hot Reset Sequence

Figure 9 shows the hot reset sequence.

Figure 9: Hot Reset Sequence



The hot sequence parameters are described in **Table 16**.

Table 16: Hot Reset Sequence Parameters

Symbol	Parameter	Condition	Minimum	Typical	Maximum	Unit
$t_{PU\_RESET}$	Valid power to PDn de-asserted		0			ms
$t_{RPW}$	PDn pulse width		1 <sup>4</sup>			$\mu$ s
$t_{INIT}$	From PDn de-assertion to device ready (SDIO bus enumeration)		20			ms
$V_{IH}$	Input high voltage		1.4		4.5	V
$V_{IL}$	Input low voltage		-0.4		0.5	V

<sup>4</sup> Minimum value guaranteed for a valid rest. Smaller values may put the device in an undefined state.

# 11 Interface Timing

This section describes interface timings:

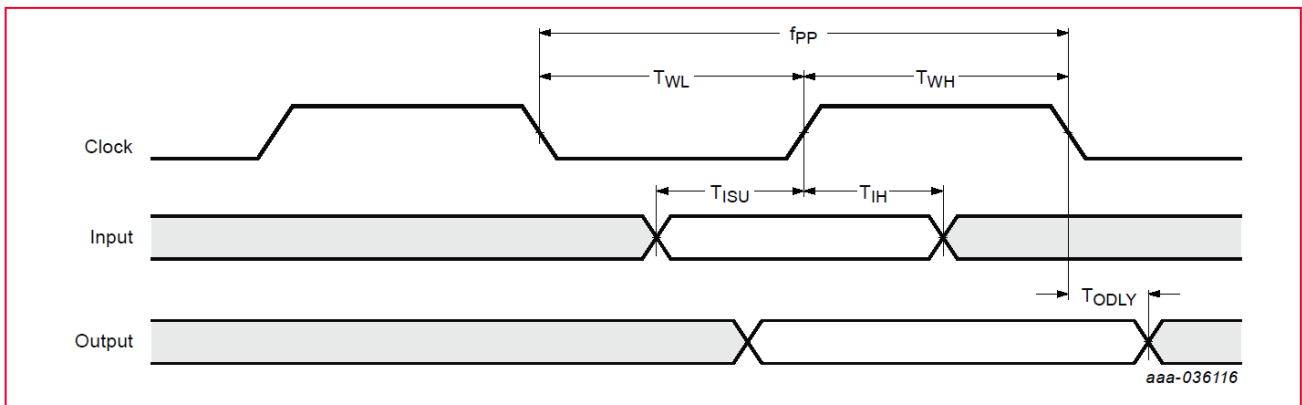
- SDIO timing (default and high-speed modes)
- SDIO protocol timings
- UART timing (default mode)
- Bluetooth PCM timing (master and slave mode)

## 11.1 SDIO Timing (Default Speed Mode)

### 11.1.1 Default Speed Mode

This section describes the SDIO protocol timing diagram in default speed mode. The sequence is shown in **Figure 10**.

**Figure 10: SDIO Protocol Timing Diagram - Default Speed Mode**



### 11.1.2 High Speed Mode

Figure 11 describes the SDIO protocol timing diagram - high speed mode parameters.

Figure 11: SDIO Protocol Timing Diagram - High Speed Mode

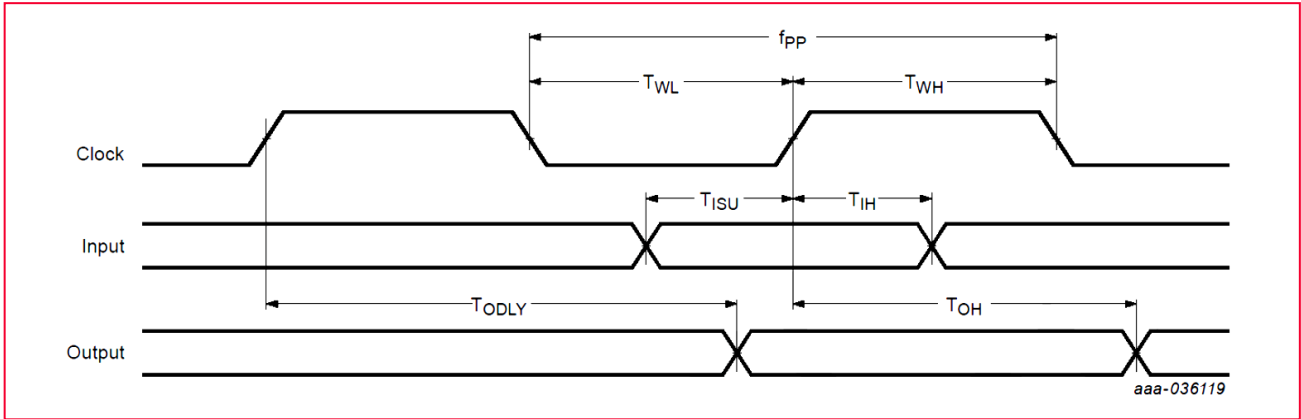


Table 17 describes the SDIO protocol high speed mode parameters.

Table 17: SDIO Protocol Timing High Speed Mode Parameters

Symbol	Parameter	Condition	Minimum	Typical	Maximum	Unit
$f_{PP}$	Clock frequency	Normal	0		25	MHz
		High-speed	0		50	MHz
$T_{WL}$	Clock low time	Normal	10			ns
		High-speed	7			ns
$T_{WH}$	Clock high time	Normal	10			ns
		High-speed	7			ns
$T_{ISU}$	Input setup time	Normal	5			ns
		High-speed	6			ns
$T_{IH}$	Input hold time	Normal	5			ns
		High-speed	2			ns
$T_{ODLY}$	Output delay time	Normal			14	ns
	CL ≤ 40 pF (1 card)	High-speed			14	ns
$T_{OH}$	Output put hold time	High-speed	2.5			ns



For SDIO 2.0 running at 25 and 50 MHz clock frequency, VIO\_SD must be 3.3V.

### 11.1.3 SDR12, SDR25, and SDR50 Modes at 1.8V (up to 100 MHz)

Figure 12 shows the SDR12, SDR25, and SDR50 modes at 1.8V (up to 100 MHz).

Figure 12: SDR12, SDR25, and SDR50 modes at 1.8V (up to 100 MHz)

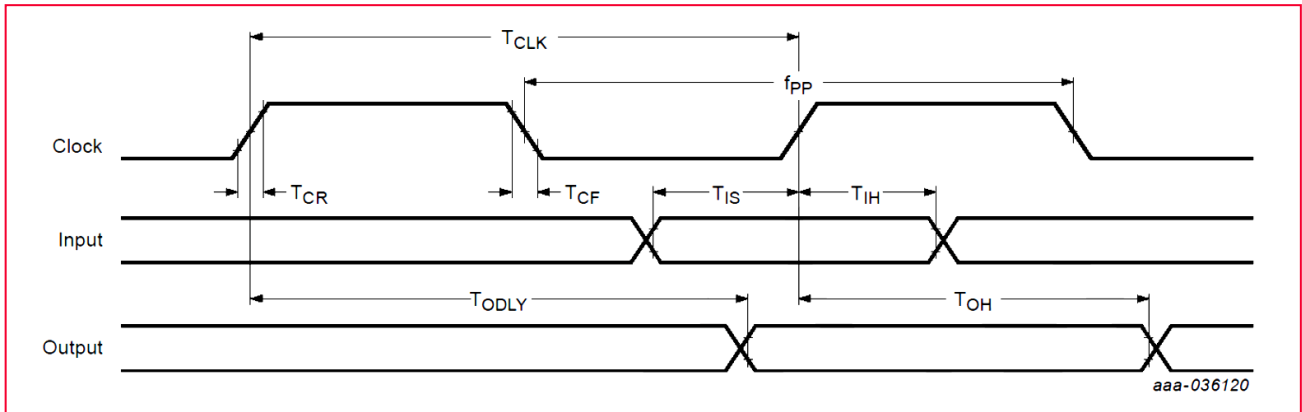


Table 18 describes the SDR12, SDR25, and SDR50 parameters.

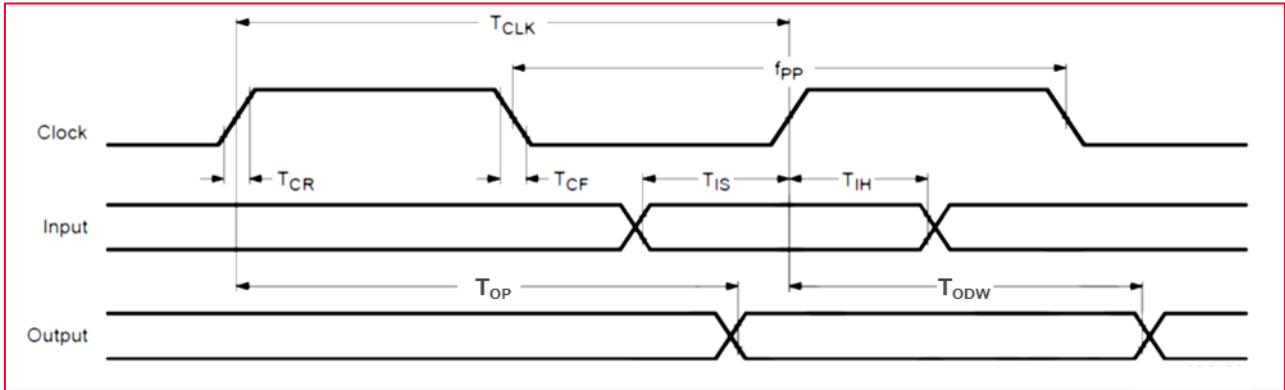
Table 18: Parameters for SDR12, SDR25, and SDR50 Modes at 1.8V (up to 100 MHz)

Symbol	Parameter	Condition	Minimum	Typical	Maximum	Unit
$f_{PP}$	Clock frequency	SDR12/25/50	25		100	MHz
$T_{IS}$	Input setup time	SDR12/25/50	3			MHz
$T_{IH}$	Input hold time	SDR12/25/50	0.8			ns
$T_{CLK}$	Clock time	SDR12/25/50	10		40	ns
$T_{CR}, T_{CF}$	Rise time, fall time. $T_{CR}, T_{CF} < 2$ ns (maximum) at 100 MHz $C_{CARD} = 10$ pF	SDR12/25/50			$0.2 \cdot T_{CLK}$	ns
$T_{OLDY}$	Output delay time $CL \leq 15$ pF	SDR12/25/50			7.5	ns
$T_{OH}$	Output hold time	SDR12/25/50	1.5			ns

### 11.1.4 SDR104 mode (208 MHz) (1.8V)

**Figure 13:** shows SDIO protocol timing diagram for SDR104 Mode (up to 208 MHz) at 1.8V.

**Figure 13: SDR104 mode at 1.8V (208 MHz)**



**Table 19:** SDIO Protocol Timing Parameters - SDR104 Mode Table 18 describes SDIO protocol timing data for SDR104 Mode (up to 208 MHz) at 1.8V.

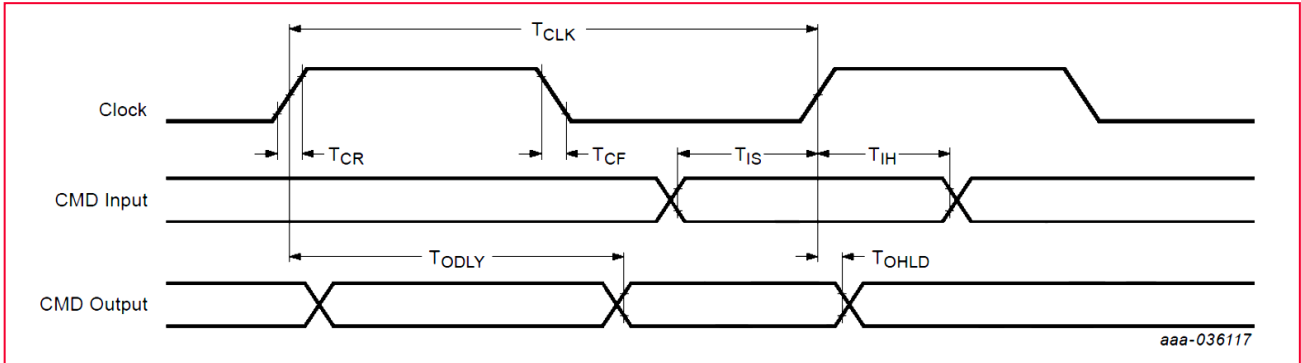
**Table 19: SDIO Protocol Timing Parameters - SDR104 Mode**

Symbol	Parameter	Condition	Minimum	Typical	Maximum	Unit
$f_{PP}$	Clock frequency	SDR104	0		208	MHz
$T_{IS}$	Input setup time	SDR104	1.4			MHz
$T_{IH}$	Input hold time	SDR104	0.8			ns
$T_{CLK}$	Clock time	SDR104	4.8			ns
$T_{CR}, T_{CF}$	Rise time, fall time $T_{CR}, T_{CF} < 0.96$ ns (maximum) at 208 MHz $C_{CARD} = 10$ pF	SDR104			$0.2 \cdot T_{CLK}$	ns
$T_{OP}$	Card output phase	SDR104			2	ns
$T_{ODW}$	Output timing of variable data window	SDR104	2.88			ns

### 11.1.5 DDR50 Mode at 1.8V (50 MHz)

Figure 14 shows DDR50 mode at 1.8V (50 MHz).

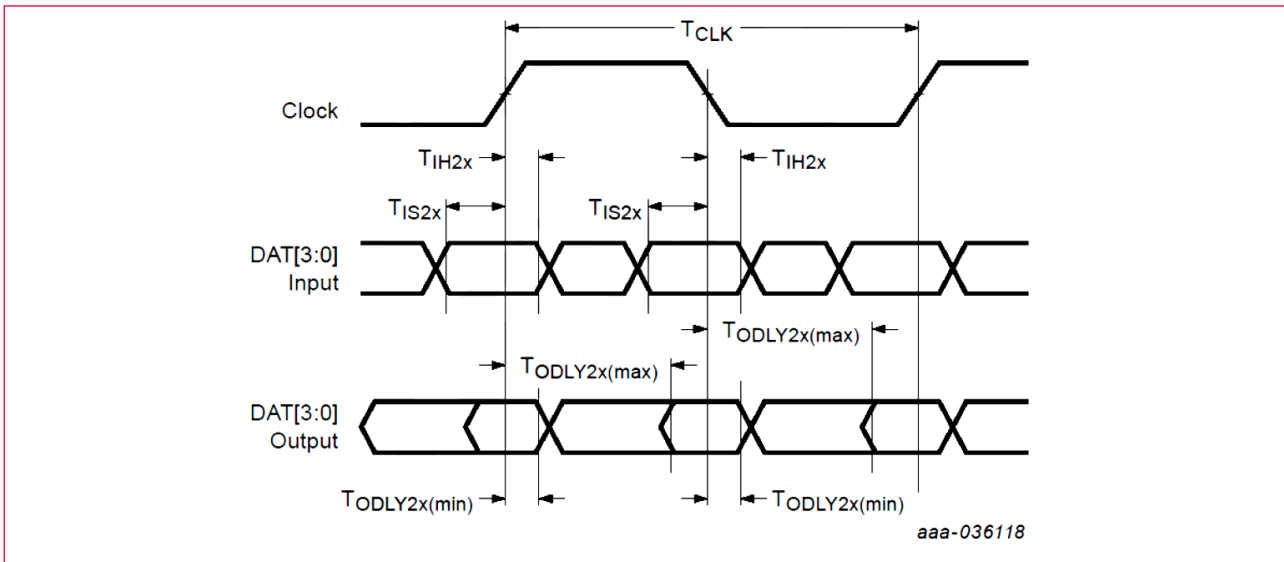
Figure 14: DDR50 Mode at 1.8V (50 MHz)



In DDR50 mode, DAT[3:0] lines are sampled on both edges of the clock (not applicable for CMD line).

Figure 15 shows the SDIO DATA timing diagram - DDR50 mode.

Figure 15: SDIO DATA Timing Diagram - DDR50 Mode



**Table 20** describes the parameters for DDR50 mode at 1.8V (50 MHz).

**Table 20: Parameters for DDR50 Mode at 1.8V (50 MHz)**

Symbol	Parameter	Condition	Minimum	Typical	Maximum	Unit
<b>Clock</b>						
$T_{CLK}$	Clock time 50 MHz (maximum) between rising edge	DDR50	20			ns
$T_{CR}, T_{CF}$	Rise time, fall time. $T_{CR}, T_{CF} < 4.00$ ms (maximum) at 50 MHz	DDR50	3		$0.2 \cdot T_{CLK}$	ns
		DDR50	45		55	%
<b>CMD Input (referenced to clock rising edge)</b>						
$T_{IS}$	Input setup time $C_{CARD} \leq 10$ pF (1 card)	DDR50	6			ns
$T_{IH}$	Input hold time $C_{CARD} \leq 10$ pF (1 card)	DDR50	0.8			ns
<b>CMD Output (referenced to clock rising edge)</b>						
$T_{ODLY}$	Output delay time during data transfer mode $CL \leq 30$ pF (1 card)	DDR50			13.7	ns
$T_{OHLd}$	Output hold time $CL \leq 30$ pF (1 card)	DDR50	1.5			ns
<b>DAT[3:0] Input (referenced to clock rising and falling edges)</b>						
$T_{IS2X}$	Input setup time $C_{CARD} \leq 10$ pF (1 card)	DDR50	3			ns
$T_{IH2X}$	Input hold time $C_{CARD} \leq 10$ pF (1 card)	DDR50	0.8			ns
<b>DAT[3:0] Output (referenced to clock rising and falling edges)</b>						
$T_{OLD2x}$ (maxi)	Output delay time during data transfer mode $CL \leq 25$ pF (1 card)	DDR50			7.0	ns
$T_{OLDY2x}$ (min)	Output hold time $CL \leq 15$ pF (1 card)	DDR50	1.5			ns



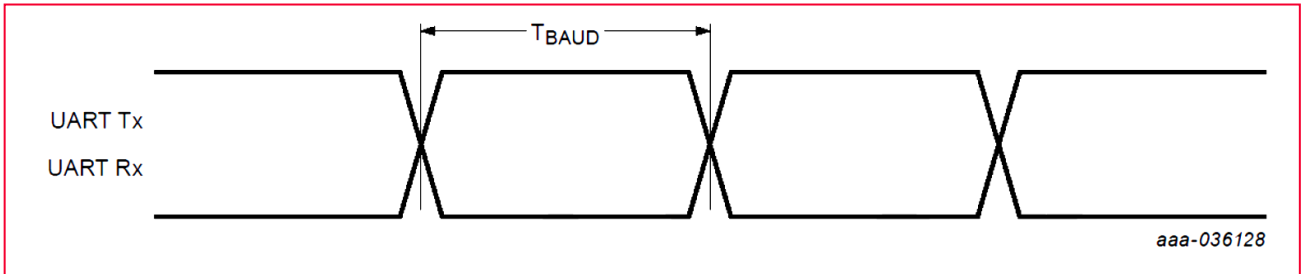
# 11.2

## 11.2 UART Timing (Default Mode)

Default baud rate is 115200 bps. Baud rate is configurable by the host stack.

**Figure 16** shows the UART timing default mode signals.

**Figure 16: UART Timing Default Mode Signals**



**Table 21** describes the UART timing default mode parameters.

**Table 21: UART Timing Default Mode Parameters**

Symbol	Parameter	Condition	Minimum	Typical	Maximum	Unit
TBAUD	Baud rate	38.4 MHz	250			ns

# 11.3

## 11.3 Bluetooth PCM Timing

This section describes the Bluetooth PCM timing master mode and slave mode data signals and PCM\_SYNC signals.

### 11.3.1 Master Mode

Figure 17 shows the master mode data signals.

Figure 17: Data Signals (Master Mode)

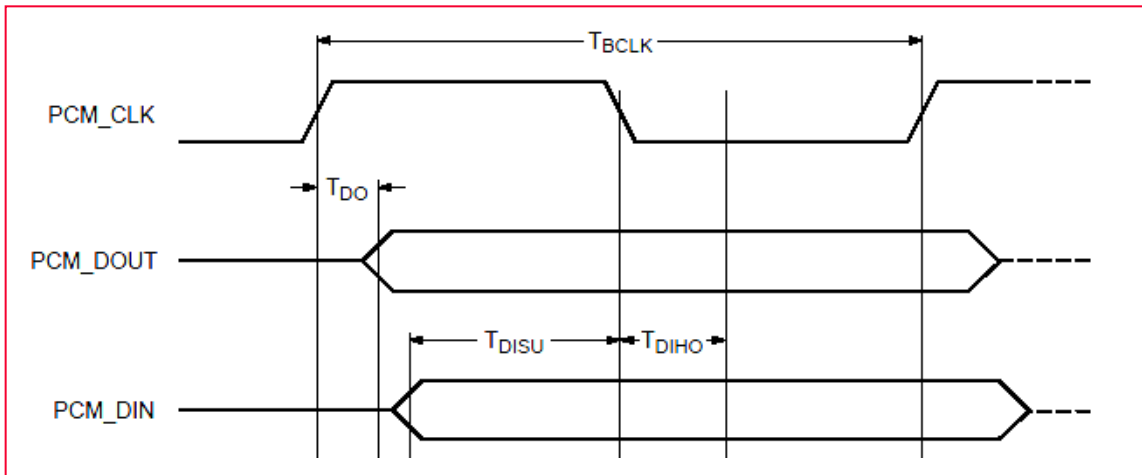


Figure 18 shows the PCM\_SYNC signals on master mode.

Figure 18: PCM\_SYNC Signals (Master Mode)

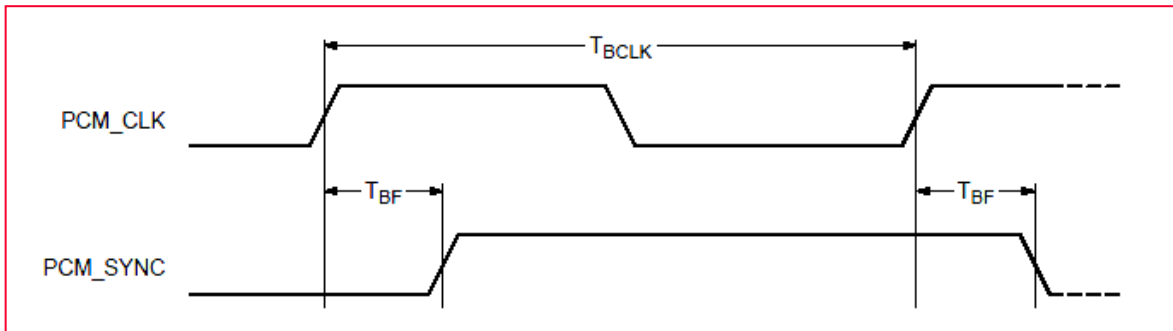


Table 22 describes the Bluetooth PCM timing master mode parameters.

Table 22: Master Mode Parameters

Symbol	Parameter	Condition	Minimum	Typical	Maximum	Unit
$F_{BCLK}$	Bit clock frequency			2/2.048		MHz
Duty Cycle $_{BCLK}$	Bit clock duty cycle		0.4	0.5	0.6	
$T_{BCLK\ rise/fall}$	PCM_CLK rise/fall time.			3		ns
$T_{DO}$	Delay from PCM_CLK rising edge to PCM_DOUT rising edge.				15	ns

Symbol	Parameter	Condition	Minimum	Typical	Maximum	Unit
$T_{DISU}$	Setup time for PCM_DIN before PCM_CLK falling edge.		20			ns
$T_{DIHO}$	Hold time for PCM_DIN after PCM_CLK falling edge.		15			ns
$T_{BF}$	Delay from PCM_CLK rising edge to PCM_SYNC rising edge				15	ns

### 11.3.2 Slave Mode

Figure 19 shows the slave mode data signals.

Figure 19: Data Signals (Slave Mode)

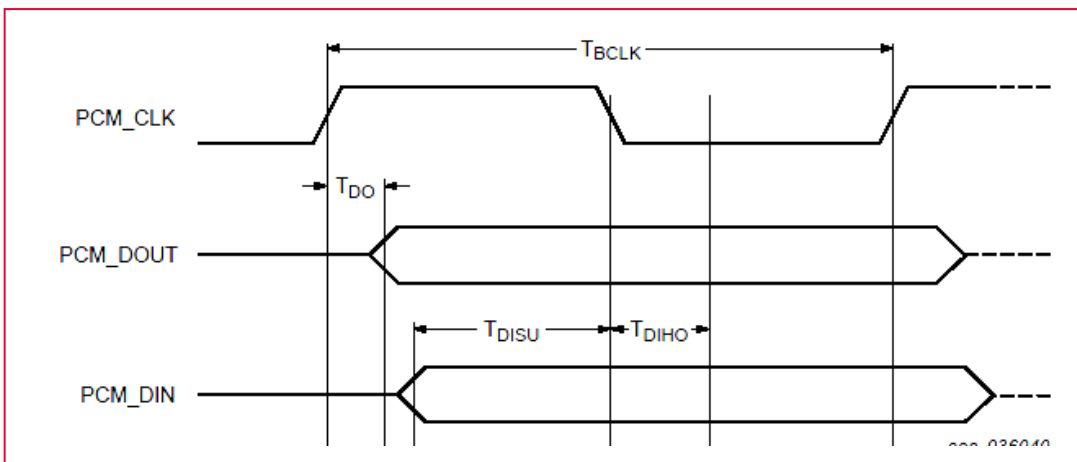
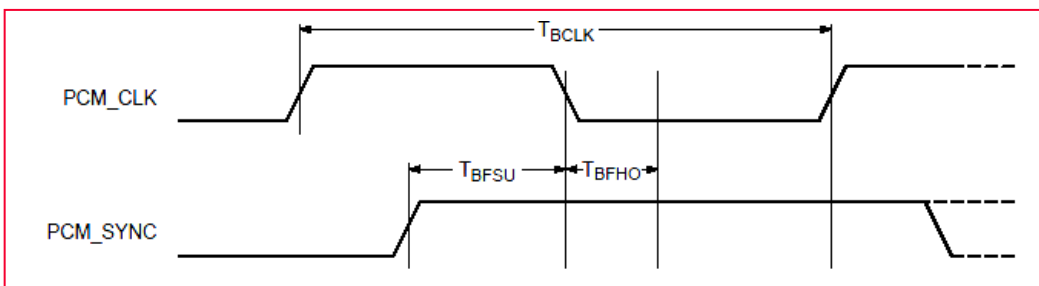


Figure 20 shows PCM\_SYNC signal at slave mode.

Figure 20: PCM\_SYNC Signals (Slave Mode)



**Table 23** describes the slave mode parameters.

**Table 23: Slave Mode Parameters**

Symbol	Parameter	Condition	Minimum	Typical	Maximum	Unit
F <sub>BCLK</sub>	Bit clock frequency			2/2.048		MHz
Duty Cycle <sub>BCLK</sub>	Bit clock duty cycle		0.4	0.5	0.6	
T <sub>BCLK rise/fall</sub>	PCM_CLK rise/fall time.			3		ns
T <sub>DO</sub>	Delay from PCM_CLK rising edge to PCM_DOUT rising edge.				30	ns
T <sub>DISU</sub>	Setup time for PCM_DIN before PCM_CLK falling edge.		15			ns
T <sub>DIHO</sub>	Hold time for PCM_DIN after PCM_CLK falling edge.		10			ns
T <sub>BFSU</sub>	Setup time for PCM_SYNC before PCM_CLK falling edge.		15			ns
T <sub>BFHO</sub>	Hold time for PCM_SYNC after PCM_CLK falling edge		10			ns

## 12 DC/RF Characteristics

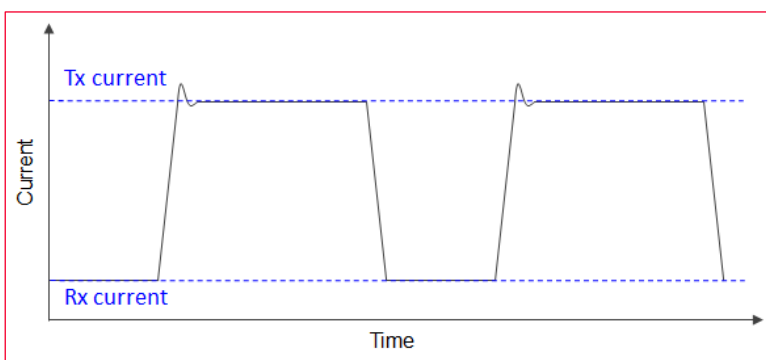
ALL DC/RF characteristics are defined by following files.

**Table 24: DC/RF Characteristics and Files**

Names	Country	Country Code	Configuration Files
WLAN Tx power configuration files	USA	US	txpower_US.bin
	Canada	CA	txpower_CA.bin
	Europe	DE	txpower_EU.bin
	Japan	JP	txpower_JP.bin
WLAN OFDMA RU Tx power configuration files	USA	US	rutxpower_US.bin
	Canada	CA	rutxpower_CA.bin
	Europe	DE	rutxpower_EU.bin
	Japan	JP	rutxpower_JP.bin
WLAN Regulatory Limit	-	-	db.txt
Energy Detect	-	-	ed_mac.bin
Bluetooth Power	USA	US	bt_power_config_US_CA_JP.sh
	Canada	CA	bt_power_config_US_CA_JP.sh
	Europe	DE	bt_power_config_EU.sh
	Japan	JP	bt_power_config_US_CA_JP.sh

Burst current definition is shown in **Figure 21**.

**Figure 21: Burst Current Definition**



## 12.1 DC/RF Characteristics for IEEE 802.11b - 2.4 GHz

**Table 25: DC/RF Characteristics for IEEE 802.11b - 2.4 GHz**

Contents	Items
Specification	IEEE 802.11b
Mode	DSSS / CCK
Channel Frequency	2412 to 2472 MHz
Data Rate	1, 2, 5.5, 11 Mbps

### 12.1.1 High-Rate Condition for IEEE 802.11b - 2.4 GHz

**Conditions:** 25 °C, VBAT = 3.3V, VIO = 1.8V, Output power setting = 18 dBm at module pad, 11 Mbps mode.

**Table 26: High-Rate Condition for IEEE 802.11b - 2.4 GHz**

Item	Contents			
DC Characteristics	Minimum	Typical	Maximum	Unit
DC Current				
Tx mode Current 1.8V		148	180	mA
Tx mode Current 3.3V		234	290	mA
Rx mode Current 1.8V		101	130	mA
Rx mode Current 3.3V		0.2	10	mA
Tx Characteristics				
	Minimum	Typical	Maximum	Unit
Output Power	16	18	20	dBm
Spectrum Mask Margin				
1st side lobes	0			dB
2nd side lobes	0			dB
Power-on/off ramp			2.0	μs
RF Carrier Suppression	15			dB
Modulation Accuracy			35	%
Frequency Tolerance	-20		20	ppm
Spurious Emissions				
30 - 47 MHz (BW = 100 kHz)			-36	dBm
47 - 74 MHz (BW = 100 kHz)			-54	dBm
74 - 87.5 MHz (BW = 100 kHz)			-36	dBm
87.5 - 118 MHz (BW = 100 kHz)			-54	dBm
118 - 174 MHz (BW = 100 kHz)			-36	dBm
174 - 230 MHz (BW = 100 kHz)			-54	dBm
230 - 470 MHz (BW = 100 kHz)			-36	dBm
470 - 862 MHz (BW = 100 kHz)			-54	dBm
862 - 1000 MHz (BW = 100 kHz)			-36	dBm
1000 - 12750 MHz (BW = 1 MHz)			-30	dBm
Rx Characteristics				
	Minimum	Typical	Maximum	Unit
Minimum Input Level (FER ≤ 8%)			-76	dBm
Maximum Input Level (FER ≤ 8%)	-10			dBm
Adjacent Channel Rejection (FER < 8%)	35			dB

## 12.1.2 Low-Rate Condition for IEEE 802.11b - 2.4 GHz

**Conditions:** 25 °C, VBAT =3.3V, VIO = 1.8V, Output power setting = 18 dBm at module pad, 1 Mbps mode.

**Table 27: Low-Rate Condition for IEEE 802.11b - 2.4 GHz**

Item	Contents			
DC Characteristics	Minimum	Typical	Maximum	Unit
DC Current				
1. Tx mode Current 1.8V		146	180	mA
2. Tx mode Current 3.3V		225	270	mA
3. Rx mode Current 1.8V		101	130	mA
4. Rx mode Current 3.3V		0.2	10	mA
Tx Characteristics	Minimum	Typical	Maximum	Unit
Output Power	16	18	20	dBm
Spectrum Mask Margin				
5. 1st side lobes	0			dB
6. 2nd side lobes	0			dB
Power-on/off ramp			2.0	μs
RF Carrier Suppression	15			dB
Modulation Accuracy			35	%
Frequency Tolerance	-20		20	ppm
Spurious Emissions				
7. 30 - 47 MHz (BW = 100 kHz)			-36	dBm
8. 47 - 74 MHz (BW = 100 kHz)			-54	dBm
9. 74 - 87.5 MHz (BW = 100 kHz)			-36	dBm
10. 87.5 - 118 MHz (BW = 100 kHz)			-54	dBm
11. 118 - 174 MHz (BW = 100 kHz)			-36	dBm
12. 174 - 230 MHz (BW = 100 kHz)			-54	dBm
13. 230 - 470 MHz (BW = 100 kHz)			-36	dBm
14. 470 - 862 MHz (BW = 100 kHz)			-54	dBm
15. 862 - 1000 MHz (BW = 100 kHz)			-36	dBm
16. 1000 - 12750 MHz (BW = 1 MHz)			-30	dBm
Rx Characteristics	Minimum	Typical	Maximum	Unit
Minimum Input Level (FER ≤ 8%)			-80	dBm
Maximum Input Level (FER ≤ 8%)	-4			dBm
Adjacent Channel Rejection (FER < 8%)	35			dB

## 12.2 DC/RF Characteristics for IEEE 802.11g - 2.4 GHz

Table 28: DC/RF Characteristics for IEEE 802.11g - 2.4 GHz

Contents	Items
Specification	IEEE 802.11g
Mode	OFDM
Channel Frequency	2412 to 2472 MHz
Data Rate	6, 9, 12, 18, 24, 36, 48, 54 Mbps

### 12.2.1 High-Rate Condition for IEEE 802.11g - 2.4 GHz

**Conditions:** 25 °C, VBAT = 3.3V, VIO = 1.8V, Output power setting = 16 dBm at module pad, 54 Mbps mode.

Table 29: High-Rate Condition for IEEE 802.11g - 2.4 GHz

Items	Contents			
DC characteristics	Minimum	Typical	Maximum	Unit
DC Current				
• Tx mode Current 1.8V		163	200	mA
• Tx mode Current 3.3V		197	240	mA
• Rx mode Current 1.8V		102	130	mA
• Rx mode Current 3.3V		0.2	10	mA
Tx Characteristics				
Output Power	14	16	18	dBm
Spectrum Mask Margin				
• 9 MHz to 11 MHz (0~ -20 dBr)	0			dB
• 11 MHz to 20 MHz (-20~ -28 dBr)	0			dB
• 20 MHz to 30 MHz (-28~ -40 dBr)	0			dB
• 30 MHz to 33 MHz (-40 dBr)	0			dB
Constellation Error (EVM)			-25	dB
Frequency Tolerance	-20		20	ppm
Spurious Emissions				
• 30 - 47 MHz			-36	dBm
• 47 - 74 MHz			-54	dBm
• 74 - 87.5 MHz			-36	dBm
• 87.5 - 118 MHz			-54	dBm
• 118 - 174 MHz			-36	dBm
• 174 - 230 MHz			-54	dBm
• 230 - 470 MHz			-36	dBm
• 470 - 862 MHz			-54	dBm
• 862 - 1000 MHz			-36	dBm
• 1000-12750 MHz (BW = 1 MHz)			-30	dBm
Rx Characteristics				
Minimum Input Level (FER < 10%)			-65	dBm
Maximum Input Level (FER < 10%)	-20			dBm
Adjacent Channel Rejection (FER < 10%)	-1			dB



## 12.2.2 Low-Rate Condition for IEEE 802.11g - 2.4 GHz

**Conditions:** 25 °C, VBAT = 3.3V, VIO = 1.8V, Output power setting = 16 dBm at module pad, 6 Mbps mode.

**Table 30: High-Rate Condition for IEEE 802.11g - 2.4 GHz**

Items	Contents			
DC characteristics	Minimum	Typical	Maximum	Unit
DC Current				
• Tx mode Current 1.8V		164	200	mA
• Tx mode Current 3.3V		201	260	mA
• Rx mode Current 1.8V		102	130	mA
• Rx mode Current 3.3V		0.2	10	mA
Tx Characteristics	Minimum	Typical	Maximum	Unit
Output Power	14	16	18	dBm
Spectrum Mask Margin				
1. 9 MHz to 11 MHz (0~ -20 dBr)	0			dB
2. 11 MHz to 20 MHz (-20~ -28 dBr)	0			dB
3. 20 MHz to 30 MHz (-28~ -40 dBr)	0			dB
4. 30 MHz to 33 MHz (-40 dBr)	0			dB
Constellation Error (EVM)			-25	dB
Frequency Tolerance	-20		20	ppm
Spurious Emissions				
• 30 - 47 MHz (BW = 100 kHz)			-36	dBm
• 47 - 74 MHz (BW = 100 kHz)			-54	dBm
• 74 - 87.5 MHz (BW = 100 kHz)			-36	dBm
• 87.5 - 118 MHz (BW = 10 kHz)			-54	dBm
• 118 - 174 MHz (BW = 100 kHz)			-36	dBm
• 174 - 230 MHz (BW = 100 kHz)			-54	dBm
• 230 - 470 MHz (BW = 100 kHz)			-36	dBm
• 470 - 862 MHz (BW = 100 kHz)			-54	dBm
• 862 - 1000 MHz (BW = 100 kHz)			-36	dBm
• 1000 - 12750 MHz (BW = 1 MHz)			-30	dBm
Rx Characteristics	Minimum	Typical	Maximum	Unit
Minimum Input Level (PER < 10%)			-82	dBm
Maximum Input Level (PER < 10%)	-20			dBm
Adjacent Channel Rejection (PER < 10%)	-1			dB

## 12.3 DC/RF Characteristics for IEEE 802.11n - 2.4 GHz

**Table 31: DC/RF Characteristics for IEEE 802.11n - 2.4 GHz**

Characteristics	Value
Specification	IEEE 802.11n
Mode	OFDM
Channel Frequency	2412 - 2472 MHz
Data rate	MCS0-MCS7

### 12.3.1 High-Rate Condition for IEEE 802.11n - 2.4 GHz

**Conditions:** 25°C, VBAT = 3.3V, VIO = 1.8V, Output power setting = 15 dBm at module pad, MCS7 mode.

**Table 32: High-Rate Condition for IEEE 802.11n - 2.4 GHz**

Items	Contents			
	Minimum	Typical	Maximum	Unit
DC characteristics				
DC Current				
• Tx mode Current 1.8V		164	200	mA
• Tx mode Current 3.3V		188	230	mA
• Rx mode Current 1.8V		102	130	mA
• Rx mode Current 3.3V		0.2	10	mA
Tx Characteristics				
Output Power	13	15	17	dBm
Spectrum Mask Margin				
• 9 MHz to 11 MHz (0~ -20 dBr)	0			dB
• 11 MHz to 20 MHz (-20~ -28 dBr)	0			dB
• 20 MHz to 30 MHz (-28~ -45 dBr)	0			dB
• 30 MHz to 33 MHz (-45 dBr)	0			dB
Constellation Error (EVM) (Measured at enhanced mode)			-27	dB
Frequency Tolerance	-20		20	ppm
Spurious Emissions				
• 30 - 47 MHz (BW = 100 kHz)			-36	dBm
• 47 - 74 MHz (BW = 100 kHz)			-54	dBm
• 74 - 87.5 MHz (BW = 100 kHz)			-36	dBm
• 87.5 - 118 MHz (BW = 100 kHz)			-54	dBm
• 118 - 174 MHz (BW = 100 kHz)			-36	dBm
• 174 - 230 MHz (BW = 100 kHz)			-54	dBm
• 230 - 470 MHz (BW = 100 kHz)			-36	dBm
• 470 - 862 MHz (BW = 100 kHz)			-54	dBm
• 862 - 1000 MHz (BW = 100 kHz)			-36	dBm
• 1000 - 12750 MHz (BW = 1 MHz)			-30	dBm
Rx Characteristics				
Minimum Input Level (PER ≤ 10%)			-64	dBm
Maximum Input Level (PER < 10%)	-20			dBm
Adjacent Channel Rejection (PER ≤ 10%)	-2			dB

### 12.3.2 Low-Rate Condition for IEEE 802.11n - 2.4 GHz

**Conditions:** 25°C, VBAT = 3.3V, VIO = 1.8V, Output power setting = 15 dBm at module pad, MCS0 mode.

**Table 33: Low-Rate Condition for IEEE 802.11n - 2.4 GHz**

Items	Contents			
	Minimum	Typical	Maximum	Unit
DC characteristics				
DC Current				
• Tx mode Current 1.8V		164	200	mA
• Tx mode Current 3.3V		188	230	mA
• Rx mode Current 1.8V		102	130	mA
• Rx mode Current 3.3V		0.2	10	mA
Tx Characteristics				
	Minimum	Typical	Maximum	Unit
Output Power	13	15	17	dBm
Spectrum Mask Margin				
• 9 MHz to 11 MHz (0~ -20 dBr)	0			dB
• 11 MHz to 20 MHz (-20~ -28 dBr)	0			dB
• 20 MHz to 30 MHz (-28~ -45 dBr)	0			dB
• 30 MHz to 33 MHz (-45 dBr)	0			dB
Constellation Error (EVM) (Measured at enhanced mode)			-27	dB
Frequency Tolerance	-20		20	ppm
Spurious Emissions				
• 30 - 47 MHz (BW = 100kHz)			-36	dBm
• 47 - 74 MHz (BW = 100kHz)			-54	dBm
• 74 - 87.5 MHz (BW = 100kHz)			-36	dBm
• 87.5 - 118 MHz (BW = 100kHz)			-54	dBm
• 118 - 174 MHz (BW = 100kHz)			-36	dBm
• 174 - 230 MHz (BW = 100kHz)			-54	dBm
• 230 - 470 MHz (BW = 100kHz)			-36	dBm
• 470 - 862 MHz (BW = 100kHz)			-54	dBm
• 862 - 1000 MHz (BW = 100kHz)			-36	dBm
• 1000 - 12750 MHz (BW = 1 MHz)			-30	dBm
Rx Characteristics				
	Minimum	Typical	Maximum	Unit
Minimum Input Level (PER < 10%)			-82	dBm
Maximum Input Level (PER < 10%)	-20			dBm
Adjacent Channel Rejection (PER < 10%)	-2			dB

## 12.4 DC/RF Characteristics for IEEE 802.11ax (HE20) - 2.4 GHz

**Table 34: DC/RF Characteristics for IEEE 802.11ax (HE20) - 2.4 GHz**

Contents	Items
Specification	IEEE 802.11ax
Mode	OFDM
Channel Frequency	2412 to 2472 MHz
Data Rate	MCS0-MCS11

### 12.4.1 High-Rate Condition for IEEE 802.11ax (HE20) - 2.4 GHz

**Conditions:** 25°C, VBAT = 3.3V, VIO = 1.8V, Output power setting = 13 dBm at module pad, MCS11 mode.

**Table 35: High-Rate Condition for IEEE 802.11ax (HE20) - 2.4 GHz**

Item	Contents			
	Minimum	Typical	Maximum	Unit
<b>DC Characteristics</b>				
DC Current				
Tx mode Current 1.8V		165	200	mA
Tx mode Current 3.3V		170	210	mA
Rx mode Current 1.8V		102	130	mA
Rx mode Current 3.3V		0.2	10	mA
<b>Tx Characteristics</b>	Minimum	Typical	Maximum	Unit
Output Power	11	13	15	dBm
Spectrum Mask Margin				
9 MHz to 11 MHz (0 ~ -20 dBr)	0			dB
11 MHz to 20 MHz (-20 ~ -28 dBr)	0			dB
20 MHz to 30 MHz (-28 ~ -45 dBr)	0			dB
30 MHz to 33 MHz (-45 dBr)	0			dB
Constellation Error (EVM) (Measured at enhanced mode)			-35	dB
Frequency Tolerance	-20		20	ppm
Spurious Emissions				
30 - 47 MHz (BW = 100 kHz)			-36	dBm
47 - 74 MHz (BW = 100 kHz)			-54	dBm
74 - 87.5 MHz (BW = 100 kHz)			-36	dBm
87.5 - 118 MHz (BW = 100 kHz)			-54	dBm
118 - 174 MHz (BW = 100 kHz)			-36	dBm
174 - 230 MHz (BW = 100 kHz)			-54	dBm
230 - 470 MHz (BW = 100 kHz)			-36	dBm
470 - 862 MHz (BW = 100 kHz)			-54	dBm
862 - 1000 MHz (BW = 100 kHz)			-36	dBm
1000 - 5150 MHz (BW = 1 MHz)			-30	dBm
5350 - 5470 MHz (BW = 1 MHz)			-30	dBm
5725 - 26000 MHz (BW = 1 MHz)			-30	dBm
<b>Rx Characteristics</b>	Minimum	Typical	Maximum	Unit
Minimum Input Level (PER ≤ 10%)			-52	dBm
Maximum Input Level (PER < 10%)	-30			dBm
Adjacent Channel Rejection (PER ≤ 10%)	-7			dB

## 12.4.2 Low-Rate Condition for IEEE 802.11ax (HE20) - 2.4 GHz

**Conditions:** 25°C, VBAT = 3.3V, VIO = 1.8V, Output power setting = 15 dBm at module pad, MCS0 mode.

**Table 36: Low-Rate Condition for IEEE 802.11ax (HE20) - 2.4 GHz**

Items	Contents			
DC characteristics	Minimum	Typical	Maximum	Unit
DC Current				
• Tx mode Current 1.8V		164	200	mA
• Tx mode Current 3.3V		192	240	mA
• Rx mode Current 1.8V		102	130	mA
• Rx mode Current 3.3V		0.2	10	mA
Tx Characteristics	Minimum	Typical	Maximum	Unit
Output Power	13	15	17	dBm
Spectrum Mask Margin				
• 9 MHz to 11 MHz (0~ -20 dBr)	0			dB
• 11 MHz to 20 MHz (-20~ -28 dBr)	0			dB
• 20 MHz to 30 MHz (-28~ -45 dBr)	0			dB
• 30 MHz to 33 MHz (-45 dBr)	0			dB
Constellation Error (EVM) (Measured at enhanced mode)			-5	dB
Frequency Tolerance	-20		20	ppm
Spurious Emissions				
• 30 - 47 MHz (BW = 100 kHz)			-36	dBm
• 47 - 74 MHz (BW = 100 kHz)			-54	dBm
• 74 - 87.5 MHz (BW = 100 kHz)			-36	dBm
• 87.5 - 118 MHz (BW = 100 kHz)			-54	dBm
• 118 - 174 MHz (BW = 100 kHz)			-36	dBm
• 174 - 230 MHz (BW = 100 kHz)			-54	dBm
• 230 - 470 MHz (BW = 100 kHz)			-36	dBm
• 470 - 862 MHz (BW = 100 kHz)			-54	dBm
• 862 - 1000 MHz (BW = 100 kHz)			-36	dBm
• 1000 - 5150 MHz (BW = 1 MHz)			-30	dBm
• 5350 - 5470 MHz (BW = 1 MHz)			-30	dBm
• 5725 - 26000 MHz (BW = 1 MHz)			-30	dBm
Rx Characteristics	Minimum	Typical	Maximum	Unit
Minimum Input Level (PER ≤ 10%)			-82	dBm
Maximum Input Level (PER < 10%)	-30			dBm
Adjacent Channel Rejection (PER ≤ 10%)	-7			dB

## 12.5 DC/RF Characteristics for IEEE 802.11n (HT40) – 2.4 GHz

**Table 37: Characteristic Values for IEEE 802.11n (HT40) – 2.4 GHz**

Contents	Items
Specification	IEEE 802.11n
Mode	OFDM
Channel Frequency	2412 to 2472 MHz
Data Rate	MCS0 - MCS7

### 12.5.1 High-Rate Condition for IEEE 802.11n (HT40) – 2.4 GHz

**Conditions:** 25 °C, VBAT = 3.3V, VIO = 1.8V, Output power setting = 15 dBm at module pad, MCS7 mode

**Table 38: High-Rate Condition for IEEE 802.11n (HT40) – 2.4 GHz**

Item	Contents			
DC Characteristics	Minimum	Typical	Maximum	Unit
DC Current				
1. Tx mode Current 1.8V		170	200	mA
2. Tx mode Current 3.3V		185	230	mA
3. Rx mode Current 1.8V		112	140	mA
4. Rx mode Current 3.3V		0.2	10	mA
Tx Characteristics				
	Minimum	Typical	Maximum	Unit
Output Power	13	15	17	dBm
Spectrum Mask Margin				
5. 19 MHz to 21 MHz (0 ~ -20 dBr)	0			dB
6. 21 MHz to 40 MHz (-20 ~ -28 dBr)	0			dB
7. 40 MHz to 60 MHz (-28 ~ -45 dBr)	0			dB
8. 60 MHz to 80 MHz (-45 dBr)	0			dB
Constellation Error (EVM) (Measured at enhanced mode)			-27	dB
Frequency Tolerance	-20		20	ppm
Spurious Emissions				
9. 30 - 47 MHz (BW = 100 kHz)			-36	dBm
10. 47 - 74 MHz (BW = 100 kHz)			-54	dBm
11. 74 - 87.5 MHz (BW = 100 kHz)			-36	dBm
12. 87.5 - 118 MHz (BW = 100 kHz)			-54	dBm
13. 118 - 174 MHz (BW = 100 kHz)			-36	dBm
14. 174 - 230 MHz (BW = 100 kHz)			-54	dBm
15. 230 - 470 MHz (BW = 100 kHz)			-36	dBm
16. 470 - 862 MHz (BW = 100 kHz)			-54	dBm
17. 862 - 1000 MHz (BW = 100 kHz)			-36	dBm
18. 1000 - 5150 MHz (BW = 1 MHz)			-30	dBm
19. 5350 - 5470 MHz (BW = 1 MHz)			-30	dBm
20. 5725 - 26000 MHz (BW = 1 MHz)			-30	dBm
Rx Characteristics				
	Minimum	Typical	Maximum	Unit
Minimum Input Level (PER ≤ 10%)			-61	dBm
Maximum Input Level (PER ≤ 10%)	-20			dBm
Adjacent Channel Rejection (PER ≤ 10%)	-2			dB

## 12.5.2 Low-Rate Condition for IEEE 802.11n (HT40) – 2.4 GHz

**Conditions:** 25 °C, VBAT = 3.3V, VIO = 1.8V, Output power setting = 14dBm at module pad, MCS0 mode

**Table 39: Low-Rate Condition for IEEE 802.11n (HT40) – 2.4 GHz**

Item	Contents			
DC Characteristics	Minimum	Typical	Maximum	Unit
DC Current				
1. Tx mode Current 1.8V		170	200	mA
2. Tx mode Current 3.3V		188	230	mA
3. Rx mode Current 1.8V		112	140	mA
4. Rx mode Current 3.3V		0.2	10	mA
Tx Characteristics	Minimum	Typical	Maximum	Unit
Output Power	13	15	17	dBm
Spectrum Mask Margin				
5. 19 MHz to 21 MHz (0 ~ -20 dB)	0			dB
6. 21 MHz to 40 MHz (-20 ~ -28 dB)	0			dB
7. 40 MHz to 60 MHz (-28 ~ -45 dB)	0			dB
8. 60 MHz to 80 MHz (-45 dB)	0			dB
Constellation Error (EVM) (Measured at enhanced mode)			-5	dB
Frequency Tolerance	-20		20	ppm
Spurious Emissions				
9. 30 - 47 MHz (BW = 100 kHz)			-36	dBm
10. 47 - 74 MHz (BW = 100 kHz)			-54	dBm
11. 74 - 87.5 MHz (BW = 100 kHz)			-36	dBm
12. 87.5 - 118 MHz (BW = 100 kHz)			-54	dBm
13. 118 - 174 MHz (BW = 100 kHz)			-36	dBm
14. 174 - 230 MHz (BW = 100 kHz)			-54	dBm
15. 230 - 470 MHz (BW = 100 kHz)			-36	dBm
16. 470 - 862 MHz (BW = 100 kHz)			-54	dBm
17. 862 - 1000 MHz (BW = 100 kHz)			-36	dBm
18. 1000 - 5150 MHz (BW = 1 MHz)			-30	dBm
19. 5350 - 5470 MHz (BW = 1 MHz)			-30	dBm
20. 5725 - 26000 MHz (BW = 1 MHz)			-30	dBm
Rx Characteristics	Minimum	Typical	Maximum	Unit
Minimum Input Level (PER ≤ 10%)			-79	dBm
Maximum Input Level (PER ≤ 10%)	-20			dBm
Adjacent Channel Rejection (PER ≤ 10%)	16			dB

## 12.6 DC/RF Characteristics for IEEE802.11ax (HE40) – 2.4GHz

**Table 40: Characteristic Values for IEEE802.11ax (HE40) – 2.4GHz**

Contents	Items
Specification	IEEE 802.11ax
Mode	OFDM
Channel Frequency	2412 to 2472 MHz
Data Rate	MCS0 - MCS11

### 12.6.1 High-Rate Condition for IEEE802.11ax (HE40) – 2.4GHz

**Conditions:** 25 °C, VBAT = 3.3V, VIO = 1.8V, Output power setting = 13 dBm at module pad, MCS11 mode

**Table 41: High-Rate Condition for IEEE802.11ax (HE40) – 2.4GHz**

Item	Contents			
DC Characteristics	Minimum	Typical	Maximum	Unit
DC Current				
1. Tx mode Current 1.8V		158	190	mA
2. Tx mode Current 3.3V		151	200	mA
3. Rx mode Current 1.8V		112	140	mA
4. Rx mode Current 3.3V		0.2	10	mA
Tx Characteristics				
	Minimum	Typical	Maximum	Unit
Output Power	11	13	15	dBm
Spectrum Mask Margin				
5. 19 MHz to 21 MHz (0 ~ -20 dBr)	0			dB
6. 21 MHz to 40 MHz (-20 ~ -28 dBr)	0			dB
7. 40 MHz to 60 MHz (-28 ~ -45 dBr)	0			dB
8. 60 MHz to 80 MHz (-45 dBr)	0			dB
Constellation Error (EVM) (Measured at enhanced mode)			-35	dB
Frequency Tolerance	-20		20	ppm
Spurious Emissions				
9. 30 - 47 MHz (BW = 100 kHz)			-36	dBm
10. 47 - 74 MHz (BW = 100 kHz)			-54	dBm
11. 74 - 87.5 MHz (BW = 100 kHz)			-36	dBm
12. 87.5 - 118 MHz (BW = 100 kHz)			-54	dBm
13. 118 - 174 MHz (BW = 100 kHz)			-36	dBm
14. 174 - 230 MHz (BW = 100 kHz)			-54	dBm
15. 230 - 470 MHz (BW = 100 kHz)			-36	dBm
16. 470 - 862 MHz (BW = 100 kHz)			-54	dBm
17. 862 - 1000 MHz (BW = 100 kHz)			-36	dBm
18. 1000 - 5150 MHz (BW = 1 MHz)			-30	dBm
19. 5350 - 5470 MHz (BW = 1 MHz)			-30	dBm
20. 5725 - 26000 MHz (BW = 1 MHz)			-30	dBm
Rx Characteristics				
	Minimum	Typical	Maximum	Unit
Minimum Input Level (PER ≤ 10%)			-49	dBm
Maximum Input Level (PER ≤ 10%)	-20			dBm



## 12.6.2 Low-Rate Condition for IEEE802.11ax (HE40) – 2.4GHz

**Conditions:** 25 °C, VBAT = 3.3V, VIO = 1.8V, Output power setting = 14 dBm at module pad, MCS0 mode

**Table 42: Low-Rate Condition for IEEE802.11ax (HE40) – 2.4GHz**

Item	Contents			
DC Characteristics	Minimum	Typical	Maximum	Unit
DC Current				
1. Tx mode Current 1.8V		172	200	mA
2. Tx mode Current 3.3V		188	230	mA
3. Rx mode Current 1.8V		112	140	mA
4. Rx mode Current 3.3V		0.2	10	mA
Tx Characteristics	Minimum	Typical	Maximum	Unit
Output Power	13	15	17	dBm
Spectrum Mask Margin				
5. 19 MHz to 21 MHz (0 ~ -20 dB)	0			dB
6. 21 MHz to 40 MHz (-20 ~ -28 dB)	0			dB
7. 40 MHz to 60 MHz (-28 ~ -45 dB)	0			dB
8. 60 MHz to 80 MHz (-45 dB)	0			dB
Constellation Error (EVM) (Measured at enhanced mode)			-5	dB
Frequency Tolerance	-20		20	ppm
Spurious Emissions				
9. 30 - 47 MHz (BW = 100 kHz)			-36	dBm
10. 47 - 74 MHz (BW = 100 kHz)			-54	dBm
11. 74 - 87.5 MHz (BW = 100 kHz)			-36	dBm
12. 87.5 - 118 MHz (BW = 100 kHz)			-54	dBm
13. 118 - 174 MHz (BW = 100 kHz)			-36	dBm
14. 174 - 230 MHz (BW = 100 kHz)			-54	dBm
15. 230 - 470 MHz (BW = 100 kHz)			-36	dBm
16. 470 - 862 MHz (BW = 100 kHz)			-54	dBm
17. 862 - 1000 MHz (BW = 100 kHz)			-36	dBm
18. 1000 - 5150 MHz (BW = 1 MHz)			-30	dBm
19. 5350 - 5470 MHz (BW = 1 MHz)			-30	dBm
20. 5725 - 26000 MHz (BW = 1 MHz)			-30	dBm
Rx Characteristics	Minimum	Typical	Maximum	Unit
Minimum Input Level (PER ≤ 10%)			-79	dBm
Maximum Input Level (PER ≤ 10%)	-20			dBm
Adjacent Channel Rejection (PER ≤ 10%)	-16			dB

## 12.7 DC/RF Characteristics for IEEE 802.11a - 5 GHz

**Table 43: DC/RF Characteristics for IEEE 802.11a - 5 GHz**

Contents	Items
Specification	IEEE 802.11a
Mode	OFDM
Channel Frequency	5180 to 5240 MHz, 5260 to 5320 MHz, 5500 to 5720 MHz, 5745 to 5825 MHz
Data Rate	6, 9, 12, 18, 24, 36, 48, 54 Mbps

### 12.7.1 High-Rate Condition for IEEE 802.11a - 5 GHz

**Conditions:** 25°C, VBAT = 3.3V, VIO = 1.8V, Output power setting = 16dBm at module pad, 54 Mbps mode.

**Table 44: High-Rate Condition for IEEE 802.11a - 5 GHz**

Item	Contents			
DC Characteristics	Minimum	Typical	Maximum	Unit
DC Current				
1. Tx mode Current 1.8V		248	300	mA
2. Tx mode Current 3.3V		240	310	mA
3. Rx mode Current 1.8V		122	150	mA
4. Rx mode Current 3.3V		0.2	10	mA
Tx Characteristics				
	Minimum	Typical	Maximum	Unit
Output Power	14	16	18	dBm
Spectrum Mask Margin				
5. 9 MHz to 11 MHz (0 ~ -20 dBr)	0			dB
6. 11 MHz to 20 MHz (-20 ~ -28 dBr)	0			dB
7. 20 MHz to 30 MHz (-28 ~ -45 dBr)	0			dB
8. 30 MHz to 33 MHz (-45 dBr)	0			dB
Constellation Error (EVM) (Measured at enhanced mode)			-25	dB
Frequency Tolerance	-20		20	ppm
Spurious Emissions				
9. 30 - 47 MHz (BW = 100 kHz)			-36	dBm
10. 47 - 74 MHz (BW = 100 kHz)			-54	dBm
11. 74 - 87.5 MHz (BW = 100 kHz)			-36	dBm
12. 87.5 - 118 MHz (BW = 100 kHz)			-54	dBm
13. 118 - 174 MHz (BW = 100 kHz)			-36	dBm
14. 174 - 230 MHz (BW = 100 kHz)			-54	dBm
15. 230 - 470 MHz (BW = 100 kHz)			-36	dBm
16. 470 - 862 MHz (BW = 100 kHz)			-54	dBm
17. 862 - 1000 MHz (BW = 100 kHz)			-36	dBm
18. 1000 - 5150 MHz (BW = 1 MHz)			-30	dBm
19. 5350 - 5470 MHz (BW = 1 MHz)			-30	dBm
20. 5725 - 26000 MHz (BW = 1 MHz)			-30	dBm
Rx Characteristics				
	Minimum	Typical	Maximum	Unit
Minimum Input Level (PER ≤ 10%)			-65	dBm
Maximum Input Level (PER < 10%)	-30			dBm
Adjacent Channel Rejection (PER ≤ 10%)	-1			dB

## 12.7.2 Low-Rate Condition for IEEE 802.11a - 5 GHz

**Conditions:** 25°C, VBAT = 3.3V, VIO = 1.8V, Output power setting = 16 dBm at module pad, 6 Mbps mode.

**Table 45: Low-Rate Condition for IEEE 802.11a - 5 GHz**

Items	Contents			
DC characteristics	Minimum	Typical	Maximum	Unit
DC Current				
• Tx mode Current 1.8V		250	300	mA
• Tx mode Current 3.3V		245	310	mA
• Rx mode Current 1.8V		122	150	mA
• Rx mode Current 3.3V		0.2	10	mA
Tx Characteristics	Minimum	Typical	Maximum	Unit
Output Power	14	16	18	dBm
Spectrum Mask Margin				
• 9 MHz to 11 MHz (0~ -20 dBr)	0			dB
• 11 MHz to 20 MHz (-20~ -28 dBr)	0			dB
• 20 MHz to 30 MHz (-28~ -45 dBr)	0			dB
• 30 MHz to 33 MHz (-45 dBr)	0			dB
Constellation Error (EVM) (Measured at enhanced mode)			-25	dB
Frequency Tolerance	-20		20	ppm
Spurious Emissions				
• 30 - 47 MHz (BW = 100 kHz)			-36	dBm
• 47 - 74 MHz (BW = 100 kHz)			-54	dBm
• 74 - 87.5 MHz (BW = 100 kHz)			-36	dBm
• 87.5 - 118 MHz (BW = 100 kHz)			-54	dBm
• 118 - 174 MHz (BW = 100 kHz)			-36	dBm
• 174 - 230 MHz (BW = 100 kHz)			-54	dBm
• 230 - 470 MHz (BW = 100 kHz)			-36	dBm
• 470 - 862 MHz (BW = 100 kHz)			-54	dBm
• 862 - 1000 MHz (BW = 100 kHz)			-36	dBm
• 1000 - 5150 MHz (BW = 1 MHz)			-30	dBm
• 5350 - 5470 MHz (BW = 1 MHz)			-30	dBm
• 5725 - 26000 MHz (BW = 1 MHz)			-30	dBm
Rx Characteristics	Minimum	Typical	Maximum	Unit
Minimum Input Level (PER ≤ 10%)			-82	dBm
Maximum Input Level (PER < 10%)	-30			dBm
Adjacent Channel Rejection (PER ≤ 10%)	-1			dB

## 12.8 DC/RF Characteristics for IEEE 802.11n (HT20) - 5 GHz

**Table 46: DC/RF Characteristics for IEEE 802.11n (HT20) - 5 GHz**

Contents	Items
Specification	IEEE 802.11n
Mode	OFDM
Channel Frequency	5180 to 5240 MHz, 5260 to 5320 MHz, 5500 to 5720 MHz, 5745 to 5825 MHz
Data Rate	MCS0 - MCS7

### 12.8.1 DC/RF Characteristics for IEEE 802.11n (HT20) - 5 GHz

**Conditions:** 25 °C, VBAT = 3.3V, VIO = 1.8V, Output power setting = 14 dBm at module pad, MCS7 mode.

**Table 47: High-Rate Condition for IEEE 802.11n (HT20 MHz) - 5 GHz**

Item	Contents			
DC Characteristics	Minimum	Typical	Maximum	Unit
DC Current				
Tx mode Current 1.8V		221	280	mA
Tx mode Current 3.3V		209	280	mA
Rx mode Current 1.8V		121	150	mA
Rx mode Current 3.3V		0.2	10	mA
Tx Characteristics	Minimum	Typical	Maximum	Unit
Output Power	12	14	16	dBm
Spectrum Mask Margin				
9 MHz to 11 MHz (0 ~ -20 dBr)	0			dB
11 MHz to 20 MHz (-20 ~ -28 dBr)	0			dB
20 MHz to 30 MHz (-28 ~ -45 dBr)	0			dB
30 MHz to 33 MHz (-45 dBr)	0			dB
Constellation Error (EVM) (Measured at enhanced mode)			-27	dB
Frequency Tolerance	-20		20	ppm
Spurious Emissions				
30 - 47 MHz (BW = 100 kHz)			-36	dBm
47 - 74 MHz (BW = 100 kHz)			-54	dBm
74 - 87.5 MHz (BW = 100 kHz)			-36	dBm
87.5 - 118 MHz (BW = 100 kHz)			-54	dBm
118 - 174 MHz (BW = 100 kHz)			-36	dBm
174 - 230 MHz (BW = 100 kHz)			-54	dBm
230 - 470 MHz (BW = 100 kHz)			-36	dBm
470 - 862 MHz (BW = 100 kHz)			-54	dBm
862 - 1000 MHz (BW = 100 kHz)			-36	dBm
1000 - 5150 MHz (BW = 1 MHz)			-30	dBm
5350 - 5470 MHz (BW = 1 MHz)			-30	dBm
5725 - 26000 MHz (BW = 1 MHz)			-30	dBm
Rx Characteristics	Minimum	Typical	Maximum	Unit
Minimum Input Level (PER ≤ 10%)			-64	dBm
Maximum Input Level (PER < 10%)	-30			dBm
Adjacent Channel Rejection (PER ≤ 10%)	-2			dB

## 12.8.2 Low-Rate Condition for IEEE 802.11n (HT20) - 5 GHz

**Conditions:** 25 °C, VBAT = 3.3V, VIO = 1.8V, Output power setting = 14 dBm at module pad, MCS0 mode.

**Table 48: Low-Rate Condition for IEEE 802.11n (HT20) - 5 GHz**

Items	Contents			
DC characteristics	Minimum	Typical	Maximum	Unit
DC Current				
• Tx mode Current 1.8V		221	280	mA
• Tx mode Current 3.3V		214	280	mA
• Rx mode Current 1.8V		121	150	mA
• Rx mode Current 3.3V		0.2	10	mA
Tx Characteristics	Minimum	Typical	Maximum	Unit
Output Power	12	14	16	dBm
Spectrum Mask Margin				
• 9 MHz to 11 MHz (0~ -20 dBr)	0			dB
• 11 MHz to 20 MHz (-20~ -28 dBr)	0			dB
• 20 MHz to 30 MHz (-28~ -45 dBr)	0			dB
• 30 MHz to 33 MHz (-45 dBr)	0			dB
Constellation Error (EVM) (Measured at enhanced mode)			-27	dB
Frequency Tolerance	-20		20	ppm
Spurious Emissions				
• 30-47 MHz (BW = 100 kHz)			-36	dBm
• 47-74 MHz (BW = 100 kHz)			-54	dBm
• 74-87.5 MHz (BW = 100 kHz)			-36	dBm
• 87.5-118 MHz (BW = 100 kHz)			-54	dBm
• 118-174 MHz (BW = 100 kHz)			-36	dBm
• 174-230 MHz (BW = 100 kHz)			-54	dBm
• 230-470 MHz (BW = 100 kHz)			-36	dBm
• 470-862 MHz (BW = 100 kHz)			-54	dBm
• 862-1000 MHz (BW = 100 kHz)			-36	dBm
• 1000-5150 MHz (BW = 1 MHz)			-30	dBm
• 5350-5470 MHz (BW = 1 MHz)			-30	dBm
• 5725-26000 MHz (BW = 1 MHz)			-30	dBm
Rx Characteristics	Minimum	Typical	Maximum	Unit
Minimum Input Level (PER ≤ 10%)			-82	dBm
Maximum Input Level (PER < 10%)	-30			dBm
Adjacent Channel Rejection (PER ≤ 10%)	-2			dBm

## 12.9 DC/RF Characteristics for IEEE 802.11ac (VHT20) - 5 GHz

**Table 49: DC/RF Characteristics for IEEE 802.11ac (VHT20) - 5 GHz**

Contents	Items
Specification	IEEE 802.11ac
Mode	OFDM
Channel Frequency	5180 to 5240 MHz, 5260 to 5320 MHz, 5500 to 5720 MHz, 5745 to 5825 MHz
Data Rate	MCS0 - MCS8

### 12.9.1 High-Rate Condition for IEEE 802.11ac (VHT20) - 5 GHz

**Conditions:** 25 °C, VBAT = 3.3V, VIO = 1.8V, Output power setting = 14 dBm at module pad, MCS8 mode.

**Table 50: High-Rate Condition for IEEE 802.11ac (VHT20) - 5 GHz**

Item	Contents			
DC Characteristics	Minimum	Typical	Maximum	Unit
DC Current				
1. Tx mode Current 1.8V		221	280	mA
2. Tx mode Current 3.3V		209	280	mA
3. Rx mode Current 1.8V		121	150	mA
4. Rx mode Current 3.3V		0.2	10	mA
Tx Characteristics				
	Minimum	Typical	Maximum	Unit
Output Power	12	14	16	dBm
Spectrum Mask Margin				
5. 9 MHz to 11 MHz (0 ~ -20 dBr)	0			dB
6. 11 MHz to 20 MHz (-20 ~ -28 dBr)	0			dB
7. 20 MHz to 30 MHz (-28 ~ -45 dBr)	0			dB
8. 30 MHz to 33 MHz (-45 dBr)	0			dB
Constellation Error (EVM) (Measured at enhanced mode)			-30	dB
Frequency Tolerance	-20		20	ppm
Spurious Emissions				
9. 30 - 47 MHz (BW = 100 kHz)			-36	dBm
10. 47 - 74 MHz (BW = 100 kHz)			-54	dBm
11. 74 - 87.5 MHz (BW = 100 kHz)			-36	dBm
12. 87.5 - 118 MHz (BW = 100 kHz)			-54	dBm
13. 118 - 174 MHz (BW = 100 kHz)			-36	dBm
14. 174 - 230 MHz (BW = 100 kHz)			-54	dBm
15. 230 - 470 MHz (BW = 100 kHz)			-36	dBm
16. 470 - 862 MHz (BW = 100 kHz)			-54	dBm
17. 862 - 1000 MHz (BW = 100 kHz)			-36	dBm
18. 1000 - 5150 MHz (BW = 1 MHz)			-30	dBm
19. 5350 - 5470 MHz (BW = 1 MHz)			-30	dBm
20. 5725 - 26000 MHz (BW = 1 MHz)			-30	dBm
Rx Characteristics				
	Minimum	Typical	Maximum	Unit
Minimum Input Level (PER ≤ 10%)			-59	dBm
Maximum Input Level (PER < 10%)	-30			dBm
Adjacent Channel Rejection (PER ≤ 10%)	-7			dB

## 12.9.2

## 12.9.2 Low-Rate Condition for IEEE 802.11ac (VHT20) - 5 GHz

**Conditions:** 25 °C, VBAT = 3.3V, VIO = 1.8V, Output power setting = 14 dBm at module pad, MCS0 mode.

Table 51: Low-Rate Condition for IEEE 802.11ac (VHT20) - 5 GHz

Items	Contents			
DC characteristics	Minimum	Typical	Maximum	Unit
DC Current				
• Tx mode Current 1.8V		221	280	mA
• Tx mode Current 3.3V		212	280	mA
• Rx mode Current 1.8V		121	150	mA
• Rx mode Current 3.3V		0.2	10	mA
Tx Characteristics	Minimum	Typical	Maximum	Unit
Output Power	12	14	16	dBm
Spectrum Mask Margin				
• 9 MHz to 11 MHz (0~ -20 dBr)	0			dB
• 11 MHz to 20 MHz (-20~ -28 dBr)	0			dB
• 20 MHz to 30 MHz (-28~ -45 dBr)	0			dB
• 30 MHz to 33 MHz (-45 dBr)	0			dB
Constellation Error (EVM) (Measured at enhanced mode)			-30	dB
Frequency Tolerance	-20		20	ppm
Spurious Emissions				
• 30 - 47 MHz (BW = 100 kHz)			-36	dBm
• 47 - 74 MHz (BW = 100 kHz)			-54	dBm
• 74 - 87.5 MHz (BW = 100 kHz)			-36	dBm
• 87.5 - 118 MHz (BW = 100 kHz)			-54	dBm
• 118 - 174 MHz (BW = 100 kHz)			-36	dBm
• 174 - 230 MHz (BW = 100 kHz)			-54	dBm
• 230 - 470 MHz (BW = 100 kHz)			-36	dBm
• 470 - 862 MHz (BW = 100 kHz)			-54	dBm
• 862 - 1000 MHz (BW = 100 kHz)			-36	dBm
• 1000 - 5150 MHz (BW = 1 MHz)			-30	dBm
• 5350 - 5470 MHz (BW = 1 MHz)			-30	dBm
• 5725 - 26000 MHz (BW = 1 MHz)			-30	dBm
Rx Characteristics	Minimum	Typical	Maximum	Unit
Minimum Input Level (PER ≤ 10%)			-82	dBm
Maximum Input Level (PER < 10%)	-30			dBm
Adjacent Channel Rejection (PER ≤ 10%)	-7			dB

## 12.10 DC/RF Characteristics for IEEE 802.11ax (HE20) - 5 GHz

Table 52: DC/RF Characteristics for IEEE 802.11ax (HE20) - 5 GHz

### 12.10.1 High-Rate Condition for IEEE 802.11ax (HE20) - 5 GHz

Contents	Items
Specification	IEEE 802.11ax
Mode	OFDM
Channel Frequency	5180 to 5240 MHz, 5260 to 5320 MHz, 5500 to 5720 MHz, 5745 to 5825 MHz
Data Rate	MCS0 - MCS11

**Conditions:** 25°C, VBAT = 3.3V, VIO = 1.8V, Output power setting = 10 dBm at module pad, MCS11 mode.

Table 53: High-Rate Condition for IEEE 802.11ax (HE20) - 5 GHz

Item	Contents			
DC Characteristics	Minimum	Typical	Maximum	Unit
DC Current				
1. Tx mode Current 1.8V		207	280	mA
2. Tx mode Current 3.3V		169	230	mA
3. Rx mode Current 1.8V		121	150	mA
4. Rx mode Current 3.3V		0.2	10	mA
Tx Characteristics				
	Minimum	Typical	Maximum	Unit
Output Power	8	10	12	dBm
Spectrum Mask Margin				
5. 9 MHz to 11 MHz (0 ~ -20 dBr)	0			dB
6. 11 MHz to 20 MHz (-20 ~ -28 dBr)	0			dB
7. 20 MHz to 30 MHz (-28 ~ -45 dBr)	0			dB
8. 30 MHz to 33 MHz (-45 dBr)	0			dB
Constellation Error (EVM) (Measured at enhanced mode)			-35	dB
Frequency Tolerance	-20		20	ppm
Spurious Emissions				
9. 30 - 47 MHz (BW = 100 kHz)			-36	dBm
10. 47 - 74 MHz (BW = 100 kHz)			-54	dBm
11. 74 - 87.5 MHz (BW = 100 kHz)			-36	dBm
12. 87.5 - 118 MHz (BW = 100 kHz)			-54	dBm
13. 118 - 174 MHz (BW = 100 kHz)			-36	dBm
14. 174 - 230 MHz (BW = 100 kHz)			-54	dBm
15. 230 - 470 MHz (BW = 100 kHz)			-36	dBm
16. 470 - 862 MHz (BW = 100 kHz)			-54	dBm
17. 862 - 1000 MHz (BW = 100 kHz)			-36	dBm
18. 1000 - 5150 MHz (BW = 1 MHz)			-30	dBm
19. 5350 - 5470 MHz (BW = 1 MHz)			-30	dBm
20. 5725 - 26000 MHz (BW = 1 MHz)			-30	dBm
Rx Characteristics				
	Minimum	Typical	Maximum	Unit
Minimum Input Level (PER ≤ 10%)			-52	dBm
Maximum Input Level (PER < 10%)	-30			dBm
Adjacent Channel Rejection (PER ≤ 10%)	-7			dB



## 12.10.2

## 12.10.2 Low-Rate Condition for IEEE 802.11ax (HE20) - 5 GHz

**Conditions:** 25 °C, VBAT = 3.3V, VIO = 1.8V, Output power setting = 14 dBm at module pad, MCS0 mode.

Table 54: Low-Rate Condition for IEEE 802.11n (HT20) - 5 GHz

Items	Contents			
	Minimum	Typical	Maximum	Unit
DC characteristics				
DC Current				
• Tx mode Current 1.8V		222	280	mA
• Tx mode Current 3.3V		216	280	mA
• Rx mode Current 1.8V		121	150	mA
• Rx mode Current 3.3V		0.2	10	mA
Tx Characteristics	Minimum	Typical	Maximum	Unit
Output Power	12	14	16	dBm
Spectrum Mask Margin				
• 9 MHz to 11 MHz (0~ -20 dBr)	0			dB
• 11 MHz to 20 MHz (-20~ -28 dBr)	0			dB
• 20 MHz to 30 MHz (-28~ -45 dBr)	0			dB
• 30 MHz to 33 MHz (-45 dBr)	0			dB
Constellation Error (EVM) (Measured at enhanced mode)			-5	dB
Frequency Tolerance	-20		20	ppm
Spurious Emissions				
• 30 - 47 MHz (BW = 100 KHz)			-36	dBm
• 47 - 74 MHz (BW = 100 KHz)			-54	dBm
• 74 - 87.5 MHz (BW = 100 KHz)			-36	dBm
• 87.5 - 118 MHz (BW = 100 KHz)			-54	dBm
• 118 - 174 MHz (BW = 100 KHz)			-36	dBm
• 174 - 230 MHz (BW = 100 KHz)			-54	dBm
• 230 - 470 MHz (BW = 100 KHz)			-36	dBm
• 470 - 862 MHz (BW = 100 KHz)			-54	dBm
• 862 - 1000 MHz (BW = 100 KHz)			-36	dBm
• 1000 - 5150 MHz (BW = 1 MHz)			-30	dBm
• 5350 - 5470 MHz (BW = 1 MHz)			-30	dBm
• 5725 - 26000 MHz (BW = 1 MHz)			-30	dBm
Rx Characteristics	Minimum	Typical	Maximum	Unit
Minimum Input Level (PER ≤ 10%)			-82	dBm
Maximum Input Level (PER < 10%)	-30			dBm
Adjacent Channel Rejection (PER ≤ 10%)	-7			dB

## 12.11 DC/RF Characteristics for IEEE 802.11n (HT40) - 5 GHz

**Table 55: Characteristic Values for IEEE 802.11n (HT40) - 5 GHz**

Contents	Items
Specification	IEEE 802.11n
Mode	OFDM
Channel Frequency	5190 to 5795 MHz
Data Rate	MCS0 - MCS7

### 12.11.1 High-Rate Condition for IEEE 802.11n (HT40) - 5 GHz

**Conditions:** 25 °C, VBAT = 3.3V, VIO = 1.8V, Output power setting = 14 dBm at module pad, MCS7 mode

Item	Contents			
DC Characteristics	Minimum	Typical	Maximum	Unit
DC Current				
1. Tx mode Current 1.8V		231	290	mA
2. Tx mode Current 3.3V		203	280	mA
3. Rx mode Current 1.8V		140	170	mA
4. Rx mode Current 3.3V		0.2	10	mA
Tx Characteristics	Minimum	Typical	Maximum	Unit
Output Power	12	14	16	dBm
Spectrum Mask Margin				
5. 19 MHz to 21 MHz (0 ~ -20 dBr)	0			dB
6. 21 MHz to 40 MHz (-20 ~ -28 dBr)	0			dB
7. 40 MHz to 60 MHz (-28 ~ -45 dBr)	0			dB
8. 60 MHz to 80 MHz (-45 dBr)	0			dB
Constellation Error (EVM) (Measured at enhanced mode)			-27	dB
Frequency Tolerance	-20		20	ppm
Spurious Emissions				
9. 30 - 47 MHz (BW = 100 kHz)			-36	dBm
10. 47 - 74 MHz (BW = 100 kHz)			-54	dBm
11. 74 - 87.5 MHz (BW = 100 kHz)			-36	dBm
12. 87.5 - 118 MHz (BW = 100 kHz)			-54	dBm
13. 118 - 174 MHz (BW = 100 kHz)			-36	dBm
14. 174 - 230 MHz (BW = 100 kHz)			-54	dBm
15. 230 - 470 MHz (BW = 100 kHz)			-36	dBm
16. 470 - 862 MHz (BW = 100 kHz)			-54	dBm
17. 862 - 1000 MHz (BW = 100 kHz)			-36	dBm
18. 1000 - 5150 MHz (BW = 1 MHz)			-30	dBm
19. 5350 - 5470 MHz (BW = 1 MHz)			-30	dBm
20. 5725 - 26000 MHz (BW = 1 MHz)			-30	dBm
Rx Characteristics	Minimum	Typical	Maximum	Unit
Minimum Input Level (PER ≤ 10%)			-61	dBm
Maximum Input Level (PER ≤ 10%)	-30			dBm
Adjacent Channel Rejection (PER ≤ 10%)	-2			dB

## 12.11.2 Low-Rate Condition for IEEE 802.11n (HT40) - 5 GHz

**Conditions:** 25 °C, VBAT = 3.3V, VIO = 1.8V, Output power setting = 14dBm at module pad, MCS0 mode

**Table 56: Low-Rate Condition for IEEE 802.11n (HT40) - 5 GHz**

Item	Contents			
DC Characteristics	Minimum	Typical	Maximum	Unit
DC Current				
1. Tx mode Current 1.8V		232	290	mA
2. Tx mode Current 3.3V		205	280	mA
3. Rx mode Current 1.8V		140	170	mA
4. Rx mode Current 3.3V		0.2	10	mA
Tx Characteristics	Minimum	Typical	Maximum	Unit
Output Power	12	14	16	dBm
Spectrum Mask Margin				
5. 19 MHz to 21 MHz (0 ~ -20 dBr)	0			dB
6. 21 MHz to 40 MHz (-20 ~ -28 dBr)	0			dB
7. 40 MHz to 60 MHz (-28 ~ -45 dBr)	0			dB
8. 60 MHz to 80 MHz (-45 dBr)	0			dB
Constellation Error (EVM) (Measured at enhanced mode)			-27	dB
Frequency Tolerance	-20		20	ppm
Spurious Emissions				
9. 30 - 47 MHz (BW = 100 kHz)			-36	dBm
10. 47 - 74 MHz (BW = 100 kHz)			-54	dBm
11. 74 - 87.5 MHz (BW = 100 kHz)			-36	dBm
12. 87.5 - 118 MHz (BW = 100 kHz)			-54	dBm
13. 118 - 174 MHz (BW = 100 kHz)			-36	dBm
14. 174 - 230 MHz (BW = 100 kHz)			-54	dBm
15. 230 - 470 MHz (BW = 100 kHz)			-36	dBm
16. 470 - 862 MHz (BW = 100 kHz)			-54	dBm
17. 862 - 1000 MHz (BW = 100 kHz)			-36	dBm
18. 1000 - 5150 MHz (BW = 1 MHz)			-30	dBm
19. 5350 - 5470 MHz (BW = 1 MHz)			-30	dBm
20. 5725 - 26000 MHz (BW = 1 MHz)			-30	dBm
Rx Characteristics	Minimum	Typical	Maximum	Unit
Minimum Input Level (PER ≤ 10%)			-79	dBm
Maximum Input Level (PER ≤ 10%)	-30			dBm
Adjacent Channel Rejection (PER ≤ 10%)	-2			dB

## 12.12 DC/RF Characteristics for IEEE 802.11ac (VHT40) - 5 GHz

**Table 57: DC/RF Characteristics for IEEE 802.11ac (VHT40) - 5 GHz**

Contents	Items
Specification	IEEE 802.11ac
Mode	OFDM
Channel Frequency	5190 to 5795 MHz
Data Rate	MCS0 - MCS9

### 12.12.1 High-Rate Condition for IEEE 802.11ac (VHT40) - 5 GHz

**Conditions:** 25 °C, VBAT = 3.3V, VIO = 1.8V, Output power setting = 12 dBm at module pad, MCS9 mode.

**Table 58: High-Rate Condition for IEEE 802.11 ac (VHT40) - 5 GHz**

Item	Contents			
DC Characteristics	Minimum	Typical	Maximum	Unit
DC Current				
• Tx mode Current 1.8V		225	290	mA
• Tx mode Current 3.3V		179	250	mA
• Rx mode Current 1.8V		141	170	mA
• Rx mode Current 3.3V		0.2	10	mA
Tx Characteristics				
Output Power	10	12	14	dBm
Spectrum Mask Margin				
• 19 MHz to 21 MHz (0 ~ -20 dBr)	0			dB
• 21 MHz to 40 MHz (-20 ~ -28 dBr)	0			dB
• 40 MHz to 60 MHz (-28 ~ -45 dBr)	0			dB
• 60 MHz to 80 MHz (-45 dBr)	0			dB
Constellation Error (EVM) (Measured at enhanced mode)			-32	dB
Frequency Tolerance	-20		20	ppm
Spurious Emissions				
• 30 - 47 MHz (BW = 100 kHz)			-36	dBm
• 47 - 74 MHz (BW = 100 kHz)			-54	dBm
• 74 - 87.5 MHz (BW = 100 kHz)			-36	dBm
• 87.5 - 118 MHz (BW = 100 kHz)			-54	dBm
• 118 - 174 MHz (BW = 100 kHz)			-36	dBm
• 174 - 230 MHz (BW = 100 kHz)			-54	dBm
• 230 - 470 MHz (BW = 100 kHz)			-36	dBm
• 470 - 862 MHz (BW = 100 kHz)			-54	dBm
• 862 - 1000 MHz (BW = 100 kHz)			-36	dBm
• 1000 - 5150 MHz (BW = 1 MHz)			-30	dBm
• 5350 - 5470 MHz (BW = 1 MHz)			-30	dBm
• 5725 - 26000 MHz (BW = 1 MHz)			-30	dBm
Rx Characteristics				
Minimum Input Level (PER ≤ 10%)			-54	dBm
Maximum Input Level (PER ≤ 10%)	-30			dBm
Adjacent Channel Rejection (PER ≤ 10%)	-9			dB

## 12.12.2 Low-Rate Condition for IEEE 802.11ac (VHT40) - 5 GHz

**Conditions:** 25 °C, VBAT = 3.3V, VIO = 1.8V, Output power setting = 14 dBm at module pad, MCS0 mode.

**Table 59: Low-Rate Condition for IEEE 802.11 ac (VHT40) - 5 GHz**

Items	Contents			
DC characteristics	Minimum	Typical	Maximum	Unit
DC Current				
• Tx mode Current 1.8V		232	290	mA
• Tx mode Current 3.3V		206	280	mA
• Rx mode Current 1.8V		141	170	mA
• Rx mode Current 3.3V		0.2	10	mA
Tx Characteristics	Minimum	Typical	Maximum	Unit
Output Power	12	14	16	dBm
Spectrum Mask Margin				
• 19 MHz to 21 MHz (0~ -20 dBr)	0			dB
• 21MHz to 40 MHz (-20~ -28 dBr)	0			dB
• 40 MHz to 60 MHz (-28~ -45 dBr)	0			dB
• 60 MHz to 80 MHz (-45 dBr)	0			dB
Constellation Error (EVM) (Measured at enhanced mode)			-32	dB
Frequency Tolerance	-20		20	ppm
Spurious Emissions				
• 30 - 47 MHz (BW = 100 KHz)			-36	dBm
• 47 - 74 MHz (BW = 100 KHz)			-54	dBm
• 74 - 87.5 MHz (BW = 100 KHz)			-36	dBm
• 87.5 - 118 MHz (BW = 100 KHz)			-54	dBm
• 118 - 174 MHz (BW = 100 KHz)			-36	dBm
• 174 - 230 MHz (BW = 100 KHz)			-54	dBm
• 230 - 470 MHz (BW = 100 KHz)			-36	dBm
• 470 - 862 MHz (BW = 100 KHz)			-54	dBm
• 862 - 1000 MHz (BW = 100 KHz)			-36	dBm
• 1000 - 5150 MHz (BW = 1 MHz)			-30	dBm
• 5350 - 5470 MHz (BW = 1 MHz)			-30	dBm
• 5725 - 26000 MHz (BW = 1 MHz)			-30	dBm
Rx Characteristics	Minimum	Typical	Maximum	Unit
Minimum Input Level (PER ≤ 10%)			-79	dBm
Maximum Input Level (PER < 10%)	-30			dBm
Adjacent Channel Rejection (PER ≤ 10%)	-9			dB

## 12.13 DC/RF Characteristics for IEEE 802.11ax (HE40) - 5 GHz

**Table 60: DC/RF Characteristics for IEEE 802.11ax (HE40) - 5 GHz**

Characteristics	Value
Specification	IEEE 802.11ax
Mode	OFDM
Channel Frequency	5190 - 5795 MHz
Data rate	MCS0 - MCS11

### 12.13.1 High-Rate Condition for IEEE 802.11ax (HE40) - 5 GHz

**Conditions:** 25 °C, VBAT = 3.3V, VIO = 1.8V, Output power setting = 10 dBm at module pad, MCS11 mode.

**Table 61: High-Rate Condition for IEEE802.11ax (HE40) - 5 GHz**

Item	Contents			
DC Characteristics	Minimum	Typical	Maximum	Unit
DC Current				
1. Tx mode Current 1.8V		217	290	mA
2. Tx mode Current 3.3V		162	230	mA
3. Rx mode Current 1.8V		141	170	mA
4. Rx mode Current 3.3V		0.2	10	mA
Tx Characteristics				
	Minimum	Typical	Maximum	Unit
Output Power	8	10	12	dBm
Spectrum Mask Margin				
5. 19 MHz to 21 MHz (0 ~ -20 dBr)	0			dB
6. 21 MHz to 40 MHz (-20 ~ -28 dBr)	0			dB
7. 40 MHz to 60 MHz (-28 ~ -45 dBr)	0			dB
8. 60 MHz to 80 MHz (-45 dBr)	0			dB
Constellation Error (EVM) (Measured at enhanced mode)			-32	dB
Frequency Tolerance	-20		20	ppm
Spurious Emissions				
9. 30 - 47 MHz (BW = 100 kHz)			-36	dBm
10. 47 - 74 MHz (BW = 100 kHz)			-54	dBm
11. 74 - 87.5 MHz (BW = 100 kHz)			-36	dBm
12. 87.5 - 118 MHz (BW = 100 kHz)			-54	dBm
13. 118 - 174 MHz (BW = 100 kHz)			-36	dBm
14. 174 - 230 MHz (BW = 100 kHz)			-54	dBm
15. 230 - 470 MHz (BW = 100 kHz)			-36	dBm
16. 470 - 862 MHz (BW = 100 kHz)			-54	dBm
17. 862 - 1000 MHz (BW = 100 kHz)			-36	dBm
18. 1000 - 5150 MHz (BW = 1 MHz)			-30	dBm
19. 5350 - 5470 MHz (BW = 1 MHz)			-30	dBm
20. 5725 - 26000 MHz (BW = 1 MHz)			-30	dBm
Rx Characteristics				
	Minimum	Typical	Maximum	Unit
Minimum Input Level (PER ≤ 10%)			-54	dBm
Maximum Input Level (PER ≤ 10%)	-30			dBm
Adjacent Channel Rejection (PER ≤ 10%)	-9			dB

## 12.13.2

## 12.13.2 Low-Rate Condition for IEEE802.11ax (HE40) - 5 GHz

**Conditions:** 25 °C, VBAT = 3.3V, VIO = 1.8V, Output power setting = 14 dBm at module pad, MCS0 mode.

Table 62: Low-Rate Condition for IEEE802.11ax (HE40) - 5 GHz

Items	Contents			
	Minimum	Typical	Maximum	Unit
DC characteristics				
DC Current				
• Tx mode Current 1.8V		234	290	mA
• Tx mode Current 3.3V		212	280	mA
• Rx mode Current 1.8V		141	170	mA
• Rx mode Current 3.3V		0.2	10	mA
Tx Characteristics	Minimum	Typical	Maximum	Unit
Output Power	12	14	16	dBm
Spectrum Mask Margin				
• 19 MHz to 21 MHz (0~ -20 dBr)	0			dB
• 21 MHz to 40 MHz (-20~ -28 dBr)	0			dB
• 40 MHz to 60 MHz (-28~ -45 dBr)	0			dB
• 60 MHz to 80 MHz (-45 dBr)	0			dB
Constellation Error (EVM) (Measured at enhanced mode)			-32	dB
Frequency Tolerance	-20		20	ppm
Spurious Emissions				
• 30 - 47 MHz (BW = 100 KHz)			-36	dBm
• 47 - 74 MHz (BW = 100 KHz)			-54	dBm
• 74 - 87.5 MHz (BW = 100 KHz)			-36	dBm
• 87.5 - 118 MHz (BW = 100 KHz)			-54	dBm
• 118 - 174 MHz (BW = 100 KHz)			-36	dBm
• 174 - 230 MHz (BW = 100 KHz)			-54	dBm
• 230 - 470 MHz (BW = 100 KHz)			-36	dBm
• 470 - 862 MHz (BW = 100 KHz)			-54	dBm
• 862 - 1000 MHz (BW = 100 KHz)			-36	dBm
• 1000 - 5150 MHz (BW = 1 MHz)			-30	dBm
• 5350 - 5470 MHz (BW = 1 MHz)			-30	dBm
• 5725 - 26000 MHz (BW = 1 MHz)			-30	dBm
Rx Characteristics	Minimum	Typical	Maximum	Unit
Minimum Input Level (PER ≤ 10%)			-79	dBm
Maximum Input Level (PER < 10%)	-30			dBm
Adjacent Channel Rejection (PER ≤ 10%)	-9			dB

## 12.14 DC/RF Characteristics for IEEE 802.11ac (VHT80) - 5 GHz

**Table 63: DC/RF Characteristics for IEEE 802.11ac (VHT80) - 5 GHz**

Characteristics	Value
Specification	IEEE 802.11ac
Mode	OFDM
Channel Frequency	5210 - 5775 MHz
Data rate	MCS0-MCS9

### 12.14.1 High-Rate Condition for IEEE 802.11ac (VHT80) - 5 GHz

**Conditions:** 25 °C, VBAT = 3.3V, VIO = 1.8V, Output power setting = 12 dBm at module pad, MCS9 mode.

**Table 64: High-Rate Condition for IEEE 802.11ac (VHT80) - 5 GHz**

Item	Contents			
	Minimum	Typical	Maximum	Unit
<b>DC Characteristics</b>				
DC Current				
Tx mode Current 1.8V		243	310	mA
Tx mode Current 3.3V		177	250	mA
Rx mode Current 1.8V		172	200	mA
Rx mode Current 3.3V		0.2	10	mA
<b>Tx Characteristics</b>	Minimum	Typical	Maximum	Unit
Output Power	10	12	14	dBm
Spectrum Mask Margin				
39 MHz to 41 MHz (0 ~ -20 dBr)	0			dB
41 MHz to 80 MHz (-20 ~ -28 dBr)	0			dB
80 MHz to 120 MHz (-28 ~ -40 dBr)	0			dB
120 MHz to 140 MHz (-40 dBr)	0			dB
Constellation Error (EVM) (Measured at enhanced mode)			-32	dB
Frequency Tolerance	-20		20	ppm
Spurious Emissions				
30 - 47 MHz (BW = 100 kHz)			-36	dBm
47 - 74 MHz (BW = 100 kHz)			-54	dBm
74 - 87.5 MHz (BW = 100 kHz)			-36	dBm
87.5 - 118 MHz (BW = 100 kHz)			-54	dBm
118 - 174 MHz (BW = 100 kHz)			-36	dBm
174 - 230 MHz (BW = 100 kHz)			-54	dBm
230 - 470 MHz (BW = 100 kHz)			-36	dBm
470 - 862 MHz (BW = 100 kHz)			-54	dBm
862 - 1000 MHz (BW = 100 kHz)			-36	dBm
1000 - 5150 MHz (BW = 1 MHz)			-30	dBm
5350 - 5470 MHz (BW = 1 MHz)			-30	dBm
5725 - 26000 MHz (BW = 1 MHz)			-30	dBm
<b>Rx Characteristics</b>	Minimum	Typical	Maximum	Unit
Minimum Input Level (PER ≤ 10%)			-51	dBm
Maximum Input Level (PER ≤ 10%)	-30			dBm
Adjacent Channel Rejection (PER ≤ 10%)	-9			dB



## 12.14.2 Low-Rate Condition for IEEE 802.11ac (VHT80) - 5 GHz

**Conditions:** 25 °C, VBAT = 3.3V, VIO = 1.8V, Output power setting = 14 dBm at module pad, MCS0 mode.

**Table 65: Low-Rate Condition for IEEE 802.11ac (VHT80) - 5 GHz**

Items	Contents			
DC characteristics	Minimum	Typical	Maximum	Unit
DC Current				
• Tx mode Current 1.8V		250	310	mA
• Tx mode Current 3.3V		208	290	mA
• Rx mode Current 1.8V		172	200	mA
• Rx mode Current 3.3V		0.2	10	mA
Tx Characteristics	Minimum	Typical	Maximum	Unit
Output Power	12	14	16	dBm
Spectrum Mask Margin				
• 39 MHz to 41 MHz (0~ -20 dBr)	0			dB
• 41 MHz to 80 MHz (-20~ -28 dBr)	0			dB
• 80 MHz to 120 MHz (-28~ -40 dBr)	0			dB
• 120 MHz to 140 MHz (-40 dBr)	0			dB
Constellation Error (EVM) (Measured at enhanced mode)			-32	dB
Frequency Tolerance	-20		20	ppm
Spurious Emissions				
• 30 - 47 MHz (BW = 100 KHz)			-36	dBm
• 47 - 74 MHz (BW = 100 KHz)			-54	dBm
• 74 - 87.5 MHz (BW = 100 KHz)			-36	dBm
• 87.5 - 118 MHz (BW = 100 KHz)			-54	dBm
• 118 - 174 MHz (BW = 100 KHz)			-36	dBm
• 174 - 230 MHz (BW = 100 KHz)			-54	dBm
• 230 - 470 MHz (BW = 100 KHz)			-36	dBm
• 470 - 862 MHz (BW = 100 KHz)			-54	dBm
• 862 - 1000 MHz (BW = 100 KHz)			-36	dBm
• 1000 - 5150 MHz (BW = 1 MHz)			-30	dBm
• 5350 - 5470 MHz (BW = 1 MHz)			-30	dBm
• 5725 - 26000 MHz (BW = 1 MHz)			-30	dBm
Rx Characteristics	Minimum	Typical	Maximum	Unit
Minimum Input Level (PER ≤ 10%)			-76	dBm
Maximum Input Level (PER < 10%)	-30			dBm
Adjacent Channel Rejection (PER ≤ 10%)	-9			dB

## 12.15 DC/RF Characteristics for IEEE 802.11ax (HE80) - 5 GHz

**Table 66: DC/RF Characteristics for IEEE 802.11ac (HE80) - 5 GHz**

Characteristics	Value
Specification	IEEE 802.11ax
Mode	OFDM
Channel Frequency	5210 - 5775 MHz
Data rate	MCS0 - MCS9

### 12.15.1 High-Rate Condition for IEEE 802.11ax (HE80) - 5 GHz

**Conditions:** 25 °C, VBAT = 3.3V, VIO = 1.8V, Output power setting = 10 dBm at module pad, MCS11 mode.

**Table 67: High-Rate Condition for IEEE 802.11ax (HE80) - 5 GHz**

Item	Contents			
DC Characteristics	Minimum	Typical	Maximum	Unit
DC Current				
1. Tx mode Current 1.8V		236	310	mA
2. Tx mode Current 3.3V		161	220	mA
3. Rx mode Current 1.8V		172	200	mA
4. Rx mode Current 3.3V		0.2	10	mA
Tx Characteristics	Minimum	Typical	Maximum	Unit
Output Power	8	10	12	dBm
Spectrum Mask Margin				
5. 39 MHz to 41 MHz (0 ~ -20 dBr)	0			dB
6. 41 MHz to 80 MHz (-20 ~ -28 dBr)	0			dB
7. 80 MHz to 120 MHz (-28 ~ -40 dBr)	0			dB
8. 120 MHz to 140 MHz (-40 dBr)	0			dB
Constellation Error (EVM) (Measured at enhanced mode)			-32	dB
Frequency Tolerance	-20		20	ppm
Spurious Emissions				
9. 30 - 47 MHz (BW = 100 kHz)			-36	dBm
10. 47 - 74 MHz (BW = 100 kHz)			-54	dBm
11. 74 - 87.5 MHz (BW = 100 kHz)			-36	dBm
12. 87.5 - 118 MHz (BW = 100 kHz)			-54	dBm
13. 118 - 174 MHz (BW = 100 kHz)			-36	dBm
14. 174 - 230 MHz (BW = 100 kHz)			-54	dBm
15. 230 - 470 MHz (BW = 100 kHz)			-36	dBm
16. 470 - 862 MHz (BW = 100 kHz)			-54	dBm
17. 862 - 1000 MHz (BW = 100 kHz)			-36	dBm
18. 1000 - 5150 MHz (BW = 1 MHz)			-30	dBm
19. 5350 - 5470 MHz (BW = 1 MHz)			-30	dBm
20. 5725 - 26000 MHz (BW = 1 MHz)			-30	dBm
Rx Characteristics	Minimum	Typical	Maximum	Unit
Minimum Input Level (PER ≤ 10%)			-51	dBm
Maximum Input Level (PER ≤ 10%)	-30			dBm
Adjacent Channel Rejection (PER ≤ 10%)	-9			dB

## 12.15.2

## 12.15.2 Low-Rate Condition for IEEE 802.11ax (HE80) - 5 GHz

**Normal Condition:** 25 °C, VBAT = 3.3V. MCS0 mode unless otherwise specified.

**Conditions:** 25 °C, VBAT = 3.3V, VIO = 1.8V, Output power setting = 14 dBm at module pad, MCS0 mode.

Table 68: Low-Rate Condition for IEEE 802.11ax (HE80) - 5 GHz

Item	Contents			
	Minimum	Typical	Maximum	Unit
<b>DC Characteristics</b>				
DC Current				
1. Tx mode Current 1.8V		254	310	mA
2. Tx mode Current 3.3V		211	290	mA
3. Rx mode Current 1.8V		172	200	mA
4. Rx mode Current 3.3V		0.2	10	mA
<b>Tx Characteristics</b>				
Output Power				
	12	14	16	dBm
Spectrum Mask Margin				
5. 39 MHz to 41 MHz (0 ~ -20 dBr)	0			dB
6. 41 MHz to 80 MHz (-20 ~ -28 dBr)	0			dB
7. 80 MHz to 120 MHz (-28 ~ -40 dBr)	0			dB
8. 120 MHz to 140 MHz (-40 dBr)	0			dB
Constellation Error (EVM) (Measured at enhanced mode)				
			-32	dB
Frequency Tolerance				
	-20		20	ppm
Spurious Emissions				
9. 30 - 47 MHz (BW = 100 kHz)			-36	dBm
10. 47 - 74 MHz (BW = 100 kHz)			-54	dBm
11. 74 - 87.5 MHz (BW = 100 kHz)			-36	dBm
12. 87.5 - 118 MHz (BW = 100 kHz)			-54	dBm
13. 118 - 174 MHz (BW = 100 kHz)			-36	dBm
14. 174 - 230 MHz (BW = 100 kHz)			-54	dBm
15. 230 - 470 MHz (BW = 100 kHz)			-36	dBm
16. 470 - 862 MHz (BW = 100 kHz)			-54	dBm
17. 862 - 1000 MHz (BW = 100 kHz)			-36	dBm
18. 1000 - 5150 MHz (BW = 1 MHz)			-30	dBm
19. 5350 - 5470 MHz (BW = 1 MHz)			-30	dBm
20. 5725 - 26000 MHz (BW = 1 MHz)			-30	dBm
<b>Rx Characteristics</b>				
Minimum Input Level (PER ≤ 10%)				
			-76	dBm
Maximum Input Level (PER ≤ 10%)				
	-30			dBm
Adjacent Channel Rejection (PER ≤ 10%)				
	-9			dB

## 12.16 DC/RF Characteristics for Bluetooth

Table 69: DC/RF Characteristics for Bluetooth

Characteristics	Value
Bluetooth specification (power class)	Version 5.3 (Class1)
Channel frequency (spacing)	2402 - 2480 MHz (1 MHz)
Number of RF Channel	79

### 12.16.1 Basic Data Rate Conditions

**Conditions:** 25 °C, VBAT = 3.3V, VIO = 1.8V.

Table 70: Basic Data Rate Conditions

Items	Contents			
<b>Current Consumption</b>	Minimum	Typical	Maximum	Unit
• Tx mode DH5 Current 1.8V		323	390	mA
• Tx mode DH5 Current 3.3V		0.2	3	mA
• Rx mode DH5 Current 1.8V		123	150	mA
• Rx mode DH5 Current 3.3V		0.2	3	mA
<b>Tx Characteristics</b>	Minimum	Typical	Maximum	Unit
Output Power@DH5		13	16	dBm
Frequency Range	2400		2483.5	MHz
20 dB Bandwidth			1	MHz
<b>Adjacent Channel Power<sup>5</sup></b>				
• [M-N] = 2			-20	dBm
• [M-N] ≥ 3			-40	dBm
<b>Modulation Characteristics</b>				
• Modulation $\Delta f_{1\text{avg}}$	140	151	175	kHz
• Modulation $\Delta f_{2\text{max}}$	115			kHz
• Modulation $\Delta f_{2\text{avg}} / \Delta f_{1\text{avg}}$	0.8	1		
<b>Carrier Frequency Drift</b>				
• 1 slot	-25		25	kHz
• 3 slot / 5 slot	-40		40	kHz
• Maximum Drift Rate			20	kHz/50 $\mu$ s
<b>Rx Characteristics</b>	Minimum	Typical	Maximum	Unit
BR Sensitivity (BER ≤ 0.1%)		-96	-70	dBm
Maximum Input Level (BER ≤ 0.1%)	-20			dBm

<sup>5</sup> Up to three spurious responses within Bluetooth limits are allowed.

## 12.16.2 Enhanced Data Rate Conditions

Conditions: 25 °C, VBAT=3.3V, VIO=1.8V

Table 71: Enhanced Data Rate Conditions

Item	Contents			
Current Consumption	Minimum	Typical	Maximum	Unit
• Tx mode 2DH5 Current 1.8V		192	240	mA
• Tx mode 2DH5 Current 3.3V		0.2	3	mA
• Rx mode 2DH5 Current 1.8V		123	150	mA
• Rx mode 2DH5 Current 3.3V		0.2	3	mA
• Tx mode 3DH5 Current 1.8V		191	240	mA
• Tx mode 3DH5 Current 3.3V		0.2	3	mA
• Rx mode 3DH5 Current 1.8V		123	150	mA
• Rx mode 3DH5 Current 3.3V		0.2	3	mA
Tx Characteristics	Minimum	Typical	Maximum	Unit
Output Power@2DH5/3DH5		5	8	dBm
Frequency Range	2400		2483.5	MHz
20 dB bandwidth			1	MHz
Adjacent Channel Power <sup>6</sup>				
21. [M-N] = 2			-20	dBm
22. [M-N] ≥ 3			-40	dBm
EDR Relative Power	-4		1	dB
EDR Carrier Frequency Stability and Modulation Accuracy				
23. $\omega_i$	-75		75	kHz
24. $\omega_i + \omega_o$	-75		75	kHz
25. $\omega_o$	-10		10	kHz
26. RMS DEVM (DQPSK)			20	%
27. Peak DEVM (DQPSK)			35	%
28. 99% DEVM (DQPSK)			30	%
29. RMS DEVM (8 DPSK)			13	%
30. Peak DEVM (8 DPSK)			25	%
31. 99% DEVM (8 DPSK)			20	%
Spurious Emissions				
32. 30 - 47 MHz (BW = 100 kHz)			-36	dBm
33. 47 - 74 MHz (BW = 100 kHz)			-54	dBm
34. 74 - 87.5 MHz (BW = 100 kHz)			-36	dBm
35. 87.5 - 118 MHz (BW = 100 kHz)			-54	dBm
36. 118 - 174 MHz (BW = 100 kHz)			-36	dBm
37. 174 - 230 MHz (BW = 100 kHz)			-54	dBm
38. 230 - 470 MHz (BW = 100 kHz)			-36	dBm
39. 470 - 862 MHz (BW = 100 kHz)			-54	dBm
40. 862 - 1000 MHz (BW = 100 kHz)			-36	dBm
41. 1000 - 12750 MHz (BW = 1 MHz)			-30	dBm
Rx Characteristics	Minimum	Typical	Maximum	Unit
EDR Sensitivity (BER ≤ 0.007%) @ 8DPSK		-88	-70	dBm
Maximum Input Level (BER ≤ 0.1%)	-20			dBm

<sup>6</sup> Up to three spurious responses within Bluetooth limits are allowed.

## 12.17 DC/RF Characteristics for Bluetooth Low Energy

**Table 72: DC/RF Characteristics for Bluetooth Low Energy**

Characteristics	Value
Bluetooth specification (power class)	Version 5.3 (Class1.5)
Channel frequency (spacing)	2402 - 2480 MHz (2 MHz)
Number of RF Channel	40

## 12.17.1 1 Mbps PHY Conditions

Conditions: 25 °C, VBAT = 3.3V, VIO = 1.8V

Table 73: 1 Mbps PHY Conditions

Item	Contents			
Current Consumption	Minimum	Typical	Maximum	Unit
• Tx mode Current 1.8V		325	390	mA
• Tx mode Current 3.3V		0.2	3	
• Rx mode Current 1.8V		123	150	mA
• Rx mode Current 3.3V		0.2	3	
Tx Characteristics	Minimum	Typical	Maximum	Unit
Center Frequency	2402		2480	MHz
Channel Spacing		2		MHz
Number of RF channel		40		
Output power		13	16	dBm
In-band emission				
42. $f_{TX} \pm 2$ MHz			-20	dBm
43. $f_{TX} \pm [3+n]$ MHz; $n = 0, 1, 2, \dots$			-30	dBm
Modulation Characteristics				
44. $\Delta f_{1avg}$	225		275	kHz
45. $\Delta f_{2max}$ (at 99.9%)	185			kHz
46. $\Delta f_{2avg} / \Delta f_{1avg}$	0.8			
Stable Modulation Characteristics				
47. $\Delta f_{1avg}$	247.5		252.5	kHz
48. $\Delta f_{2max}$ (at 99.9%)	185			kHz
49. $\Delta f_{2avg} / \Delta f_{1avg}$	0.8			
Carrier Frequency Offset and Drift				
50. Frequency offset ( $f_n$ ); $n = 0, 1, 2, 3 \dots k$	-150		150	kHz
51. Frequency drift ( $ f_0 - f_n $ ); $n = 2, 3, 4 \dots k$			50	kHz
52. Drift Rate				
53. $ f_1 - f_0 $			23	kHz
54. $ f_n - f_{n-5} $ ; $n = 6, 7, 8 \dots k$			20	kHz
Spurious Emissions				
55. 30 - 47 MHz (BW = 100 kHz)			-36	dBm
56. 47 - 74 MHz (BW = 100 kHz)			-54	dBm
57. 74 - 87.5 MHz (BW = 100 kHz)			-36	dBm
58. 87.5 - 118 MHz (BW = 100 kHz)			-54	dBm
59. 118 - 174 MHz (BW = 100 kHz)			-36	dBm
60. 174 - 230 MHz (BW = 100 kHz)			-54	dBm
61. 230 - 470 MHz (BW = 100 kHz)			-36	dBm
62. 470 - 862 MHz (BW = 100 kHz)			-54	dBm
63. 862 - 1000 MHz (BW = 100 kHz)			-36	dBm
64. 1000 - 12750 MHz (BW = 1 MHz)			-30	dBm
Rx Characteristics	Minimum	Typical	Maximum	Unit
Receiver sensitivity (PER < 30.8%)		-97	-70	dBm
Maximum input signal level (PER < 30.8%)	-10			dBm
PER Report Integrity (-30 dBm input)	50		65.4	%

## 12.17.2 2 Mbps PHY Conditions

Conditions: 25 °C, VBAT = 3.3V, VIO = 1.8V

Table 74: 2 Mbps PHY Conditions

Item	Contents			
Current Consumption	Minimum	Typical	Maximum	Unit
• Tx mode Current 1.8V		344	390	mA
• Tx mode Current 3.3V		0.2	3	mA
• Rx mode Current 1.8V		123	150	mA
• Rx mode Current 3.3V		0.2	3	mA
Tx Characteristics	Minimum	Typical	Maximum	Unit
Center Frequency	2402		2480	MHz
Channel Spacing		2		MHz
Number of RF channel		40		
Output power		13	16	dBm
In-band emission				
65. $f_{TX} \pm 4$ MHz			-20	dBm
66. $f_{TX} \pm 5$ MHz			-20	dBm
67. $f_{TX} \pm [6+n]$ MHz; n=0,1,2...			-30	dBm
Modulation Characteristics				
68. $\Delta f_{1avg}$	450		550	kHz
69. $\Delta f_{2max}$ (at 99.9%)	370			kHz
70. $\Delta f_{2avg} / \Delta f_{1avg}$	0.8			
Stable Modulation Characteristics				
71. $\Delta f_{1avg}$	495		505	kHz
72. $\Delta f_{2max}$ (at 99.9%)	370			kHz
73. $\Delta f_{2avg} / \Delta f_{1avg}$	0.8			
Carrier Frequency Offset and Drift				
74. Frequency offset ( $f_n$ ); n = 0, 1, 2, 3...k	-150		150	kHz
75. Frequency drift ( $ f_0 - f_n $ ); n = 2, 3, 4...k			50	kHz
76. Drift Rate				
77. $ f_1 - f_0 $			23	kHz
78. $f_n - f_{n-5}$ ; n = 6, 7, 8...k			20	kHz
Spurious Emissions				
79. 30 - 47 MHz (BW = 100 kHz)			-36	dBm
80. 47 - 74 MHz (BW = 100 kHz)			-54	dBm
81. 74 - 87.5 MHz (BW = 100 kHz)			-36	dBm
82. 87.5 - 118 MHz (BW = 100 kHz)			-54	dBm
83. 118 - 174 MHz (BW = 100 kHz)			-36	dBm
84. 174 - 230 MHz (BW = 100 kHz)			-54	dBm
85. 230 - 470 MHz (BW = 100 kHz)			-36	dBm
86. 470 - 862 MHz (BW = 100 kHz)			-54	dBm
87. 862 - 1000 MHz (BW = 100 kHz)			-36	dBm
88. 1000 - 12750 MHz (BW = 1 MHz)			-30	dBm
Rx Characteristics	Minimum	Typical	Maximum	Unit
Receiver sensitivity (PER < 30.8%)		-97	-70	dBm
Maximum input signal level (PER < 30.8%)	-10			dBm
PER Report Integrity (-30 dBm input)	50		65.4	%





## 14 Tape and Reel Packing

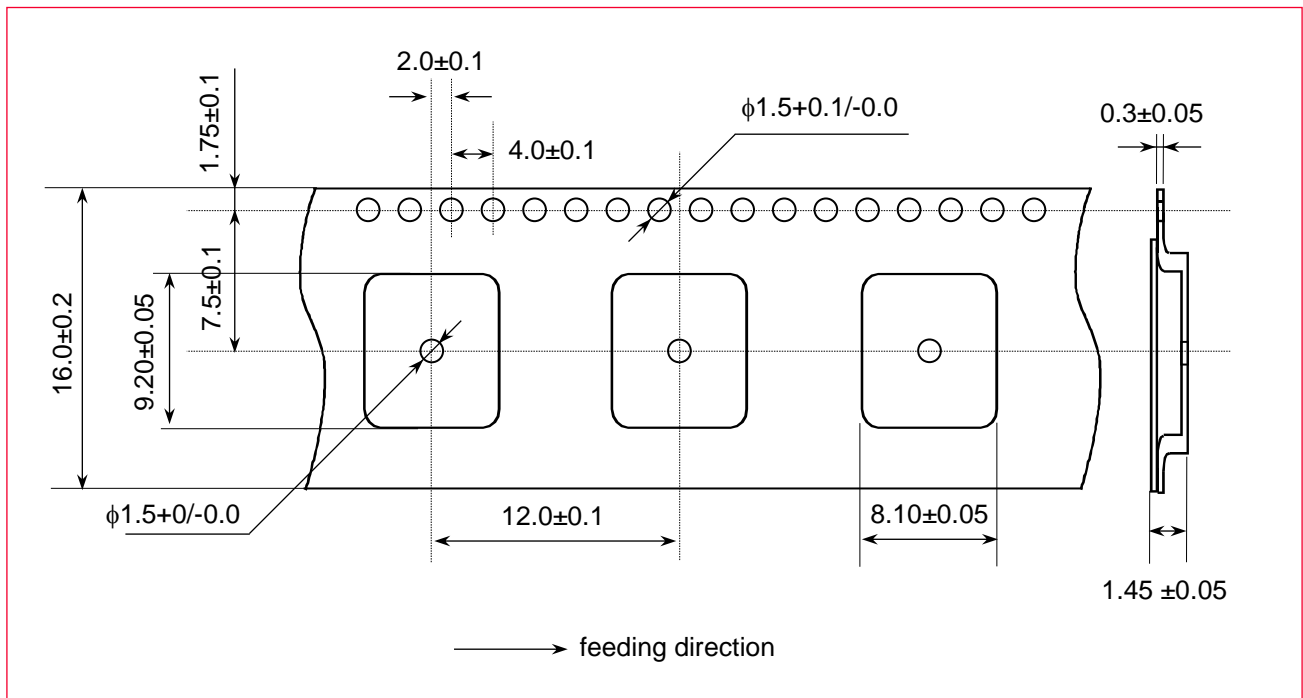
This section provides the general specifications for tape and reel packing.

### 14.1 Dimensions of Tape (Plastic Tape)

Cumulative tolerance of maximum  $40.0 \pm 0.15$  every 10 pitches.

**Figure 23** is a graphical representation of the tape dimension (plastic tape).

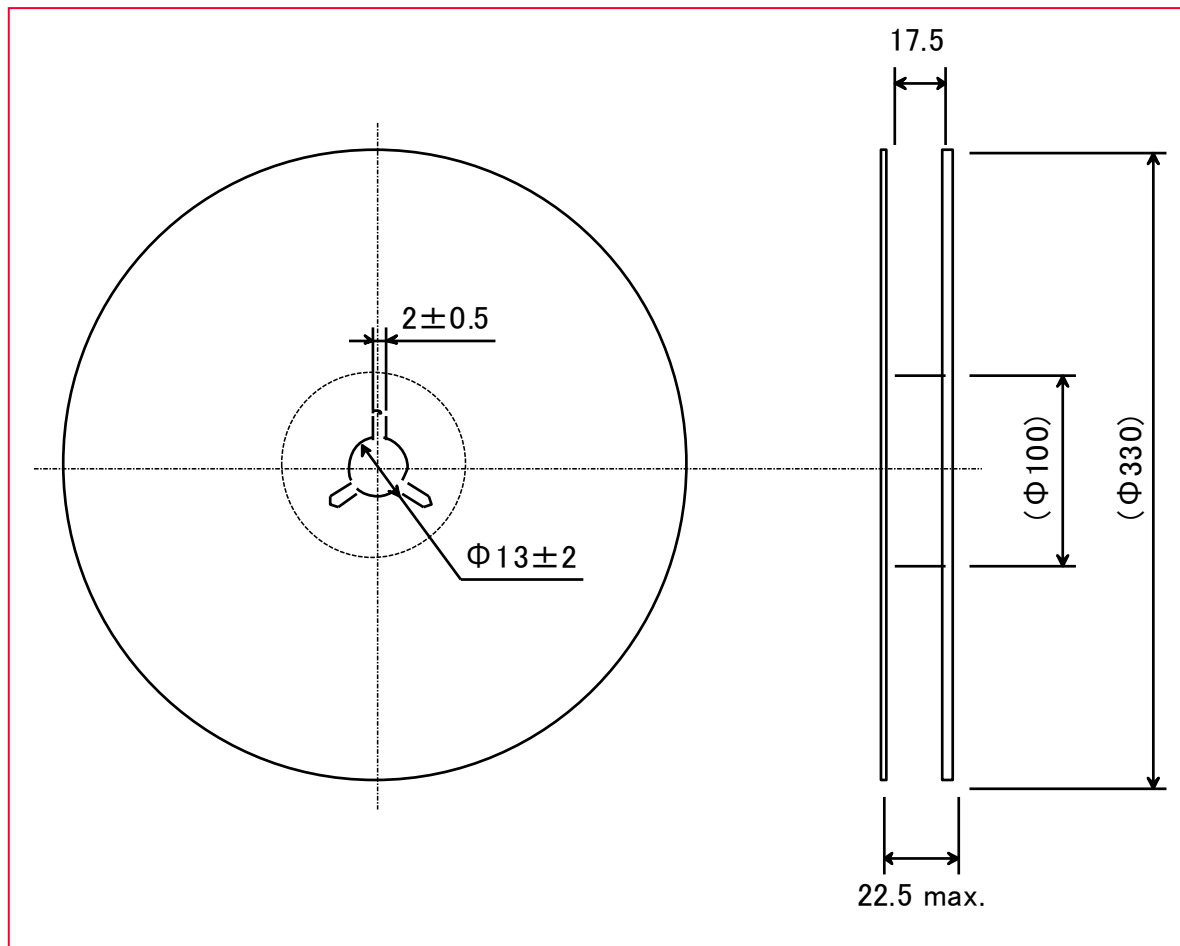
**Figure 23: Dimensions of Tape (Plastic Tape)**



## 14.2 Dimensions of Reel

Figure 24 shows the reel dimensions.

Figure 24: Dimensions of Reel (Unit: mm)



### 14.3 Taping Diagrams

Figure 25 shows the taping diagrams.

Figure 25: Taping Diagrams

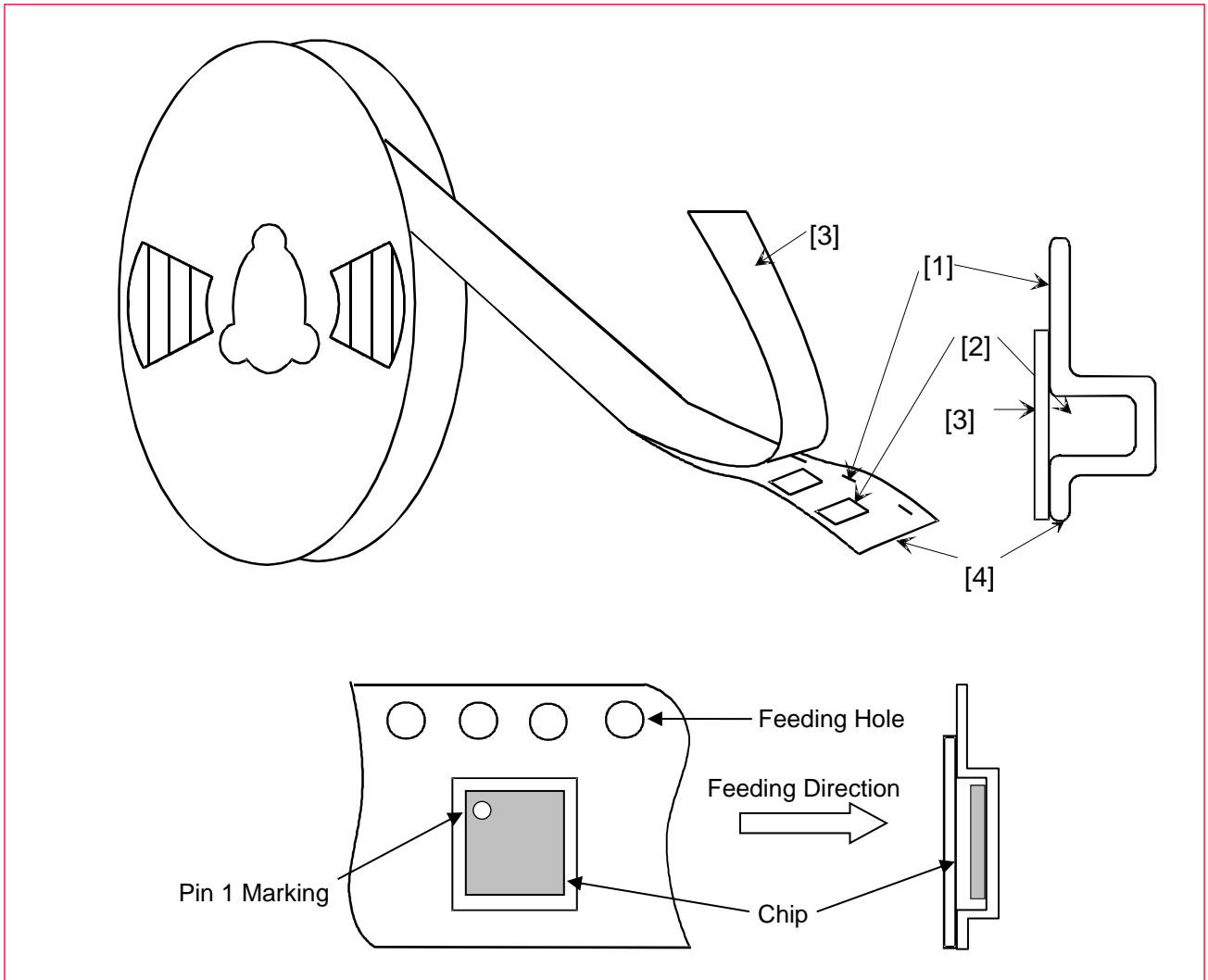


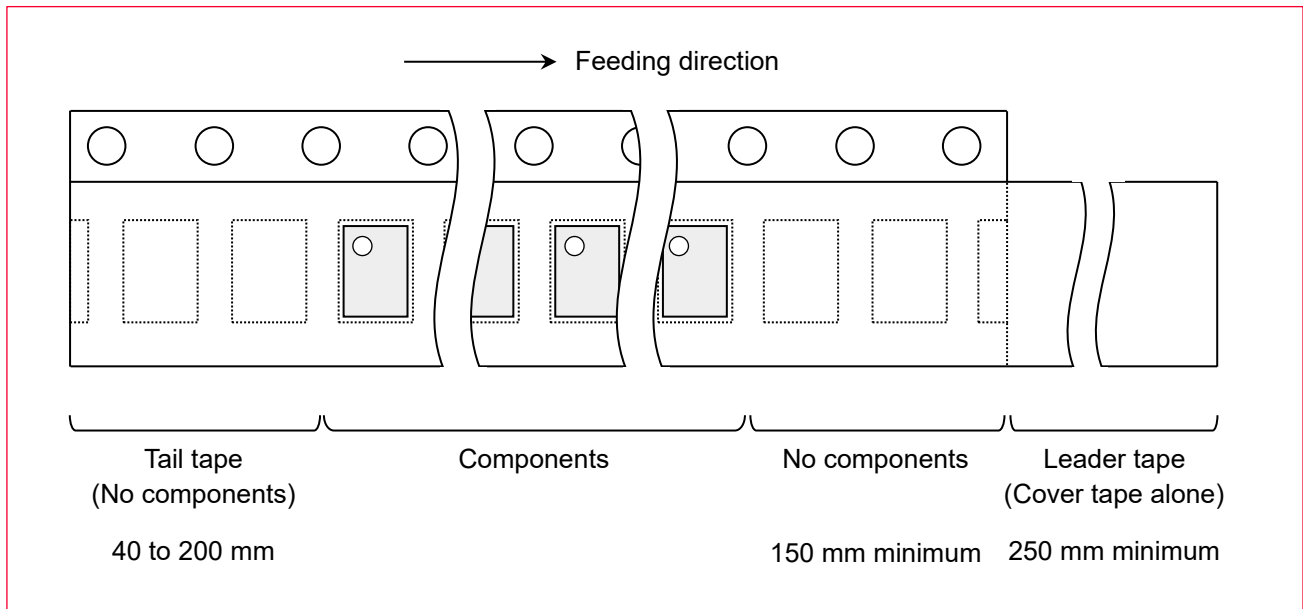
Table 75: Taping Specifications

Mark	Description
1	Feeding Hole. As specified in <a href="#">Dimensions of Tape (Plastic Tape)</a> ☐☒.
2	Hole for chip. As specified in <a href="#">Dimensions of Tape (Plastic Tape)</a> ☐☒.
3	Cover tape. 62 μm in thickness.
4	Base tape. As specified in <a href="#">Dimensions of Tape (Plastic Tape)</a> ☐☒.

## 14.4 Leader and Tail Tape

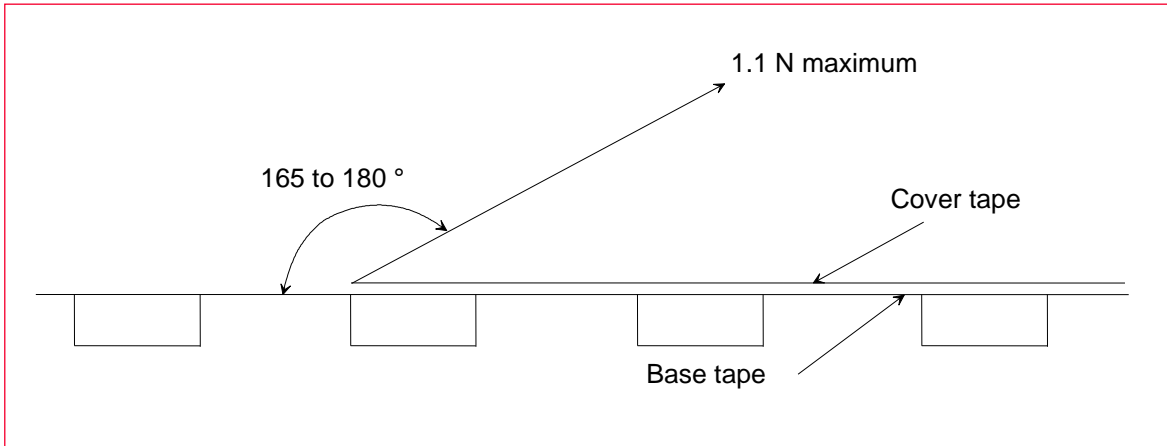
The leader and tail tape are shown in **Figure 26**

**Figure 26: Leader and Tail Tape**



- The tape for chips is wound clockwise, the feeding holes to the right side as the tape is pulled toward the user.
- The cover tape and base tape are not adhered at no components area for 250 mm minimum.
- Tear off strength against pulling of cover tape: 5 N minimum.
- Packaging unit: 1000 pcs./ reel
- Material
  - Base tape: Plastic
  - Reel: Plastic
  - Cover tape, cavity tape and reel are made the anti-static processing.
- Peeling off force: 1.1 N maximum. in the direction of peeling as shown in **Figure 27**

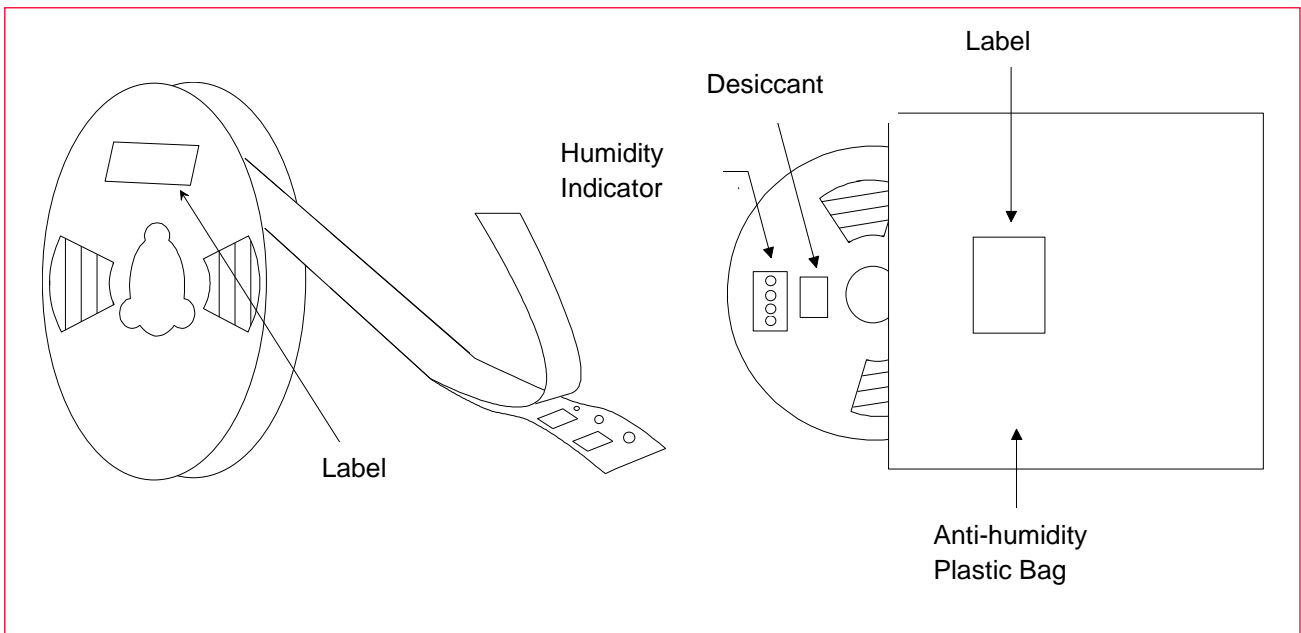
**Figure 27: Peeling Force**



## 14.5 Packaging (Humidity Proof Packing)

The packaging is shown in **Figure 28**

**Figure 28: Humidity Proof Packing**



Tape and reel must be sealed with the anti-humidity plastic bag. The bag contains the desiccant and the humidity indicator.

## 15 Notice

### 15.1 Storage Conditions

- Please use this product within 6 months after receipt.
- The product shall be stored without opening the packing under the ambient temperature from 5 to 35 °C and humidity from 20 ~ 70 %RH (Packing materials, in particular, may be deformed at the temperature over 40 °C).
- The product left more than 6 months after reception; it needs to be confirmed the solderability before used.
- The product shall be stored in noncorrosive gas (Cl<sub>2</sub>, NH<sub>3</sub>, SO<sub>2</sub>, NO<sub>x</sub>, etc.).
- Any excess mechanical shock including, but not limited to, sticking the packing materials by sharp object, and dropping the product, shall not be applied in order not to damage the packing materials.
- This product is applicable to MSL3 (Based on IPC/JEDEC J-STD-020)
- After the packing opened, the product shall be stored at <30 °C / <60 %RH and the product shall be used within 168 hours.
- When the color of the indicator in the packing changed, the product shall be baked before soldering.
- Baking condition: 125 +5/-0 °C, 24 hours, 1 time
- The products shall be baked on the heat-resistant tray because the materials (Base Tape, Reel Tape and Cover Tape) are not heat-resistant.

### 15.2 Handling Conditions

- Be careful in handling or transporting products because excessive stress or mechanical shock may break products.
- Handle with care if products may have cracks or damages on their terminals. If there is any such damage, the characteristics of products may change. Do not touch products with bare hands that may result in poor solder ability and destroy by static electrical charge.

### 15.3 Standard PCB Design (Land Pattern and Dimensions)

- All the ground terminals should be connected to the ground patterns. Furthermore, the ground pattern should be provided between IN and OUT terminals. Please refer to the specifications for the standard land dimensions.
- The recommended land pattern and dimensions is as Murata's standard. The characteristics of products may vary depending on the pattern drawing method, grounding method, land dimensions, land forming method of the NC terminals and the PCB material and thickness. Therefore, be sure to verify the characteristics in the actual set. When using non-standard lands, contact Murata beforehand.

## 15.4 Notice for Chip Placer

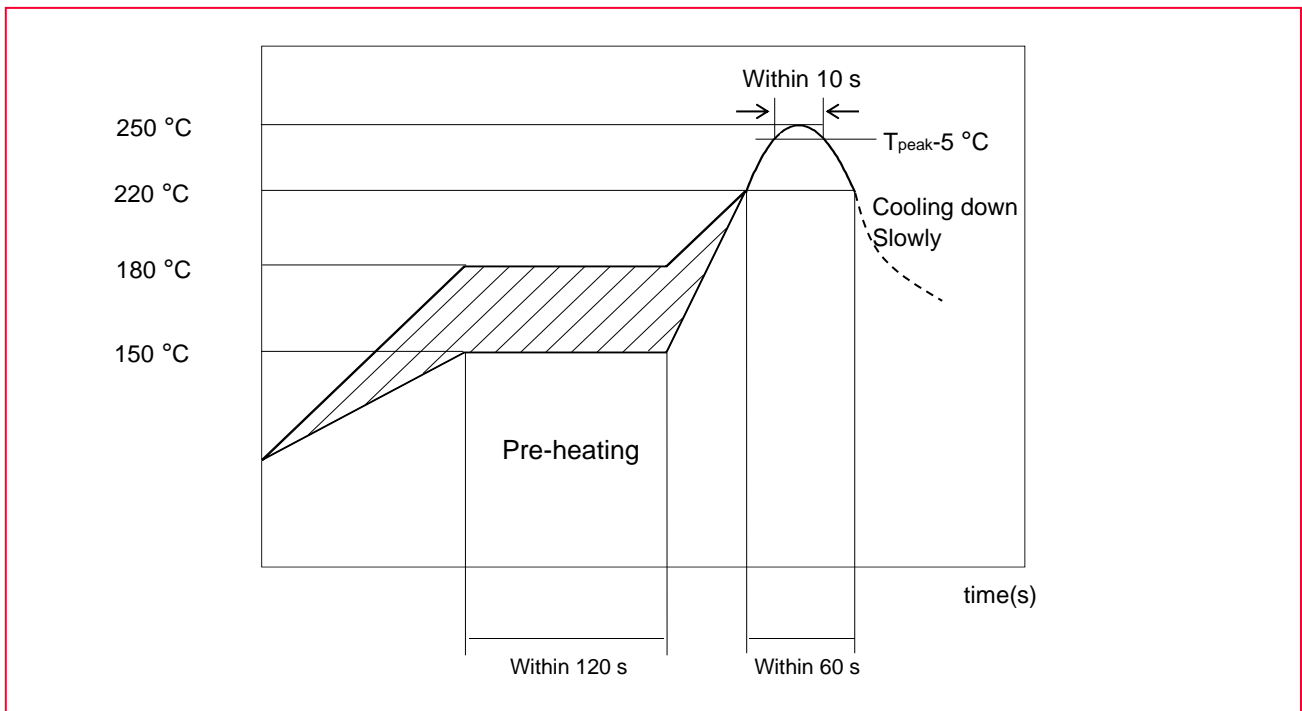
When placing products on the PCB, products may be stressed and broken by uneven forces from a worn-out chucking locating claw or a suction nozzle. To prevent products from damages, be sure to follow the specifications for the maintenance of the chip placer being used. For the positioning of products on the PCB, be aware that mechanical chucking may damage products.

## 15.5 Soldering Conditions

The recommendation conditions of soldering are shown in **Figure 29**.

Soldering must be carried out by the above-mentioned conditions to prevent products from damage. Set up the highest temperature of reflow within 260 °C. Contact Murata before use if concerning other soldering conditions.

**Figure 29: Reflow soldering standard conditions (Example)**



Please use the reflow within 2 times.

Use rosin type flux or weakly active flux with a chlorine content of 0.2 wt. % or less.

## 15.6 Cleaning

This product is moisture sensitive; therefore, any cleaning is not recommended. If any cleaning process is done the customer is responsible for any issues or failures caused by the cleaning process.



## 15.7 Operational Environment Conditions

Products are designed to work for electronic products under normal environmental conditions (ambient temperature, humidity, and pressure). Therefore, products have no problems to be used under the similar conditions to the above-mentioned. However, if products are used under the following circumstances, it may damage products and leakage of electricity and abnormal temperature may occur.

- In an atmosphere containing corrosive gas (Cl<sub>2</sub>, NH<sub>3</sub>, SOX, NOX etc.).
- In an atmosphere containing combustible and volatile gases.
- Dusty place.
- Direct sunlight place.
- Water splashing place.
- Humid place where water condenses.
- Freezing place.



If there are possibilities for products to be used under the preceding clause, consult with Murata before actual use.



Do not apply static electricity or excessive voltage while assembling and measuring, as it might be a cause of degradation or destruction to apply static electricity to products.

## 16 Precondition to Use Our Products



PLEASE READ THIS NOTICE BEFORE USING OUR PRODUCTS.

Please make sure that your product has been evaluated and confirmed from the aspect of the fitness for the specifications of our product when our product is mounted to your product.

All the items and parameters in this product specification/datasheet/catalog have been prescribed on the premise that our product is used for the purpose, under the condition and in the environment specified in this specification. You are requested not to use our product deviating from the condition and the environment specified in this specification.

Please note that the only warranty that we provide regarding the products is its conformance to the specifications provided herein. Accordingly, we shall not be responsible for any defects in products or equipment incorporating such products, which are caused under the conditions other than those specified in this specification.

WE HEREBY DISCLAIM ALL OTHER WARRANTIES REGARDING THE PRODUCTS, EXPRESS OR IMPLIED, INCLUDING WITHOUT LIMITATION ANY WARRANTY OF FITNESS FOR A PARTICULAR PURPOSE, THAT THEY ARE DEFECT-FREE, OR AGAINST INFRINGEMENT OF INTELLECTUAL PROPERTY RIGHTS.

You agree that you will use any and all software or program code (including but not limited to hcd, firmware, nvram, and blob) we may provide or to be embedded into our product ("Software") provided that you use the Software bundled with our product. YOU AGREE THAT THE SOFTWARE SHALL BE PROVIDED TO YOU "AS IS" BASIS, MURATA MAKES NO REPRESENTATIONS OR WARRANTIES THAT THE SOFTWARE IS ERROR-FREE OR WILL OPERATE WITHOUT INTERRUPTION. AND MORE, MURATA MAKES NO REPRESENTATIONS OR WARRANTIES OF ANY KIND WHETHER EXPRESS OR IMPLIED WITH RESPECT TO THE SOFTWARE. MURATA EXPRESSLY DISCLAIM ANY AND ALL WARRANTIES OR CONDITIONS OF MERCHANTABILITY, FITNESS FOR A PARTICULAR PURPOSE NOR THE WARRANTY OF TITLE OR NON-INFRINGEMENT OF INTELLECTUAL PROPERTY RIGHTS.

You shall indemnify and hold harmless us, our affiliates, and our licensor from and against any and all claims, costs, expenses and liabilities (including attorney's fees), which arise in connection with the using the Software.

The product shall not be used in any application listed below which requires especially high reliability for the prevention of such defect as may directly cause damage to the third party's life, body or property. You acknowledge and agree that, if you use our products in such applications, we will not be responsible for any failure to meet such requirements. Furthermore, YOU AGREE TO INDEMNIFY AND DEFEND US AND OUR AFFILIATES AGAINST ALL CLAIMS, DAMAGES, COSTS, AND EXPENSES THAT MAY BE INCURRED, INCLUDING WITHOUT LIMITATION, ATTORNEY FEES AND COSTS, DUE TO THE USE OF OUR PRODUCTS AND THE SOFTWARE IN SUCH APPLICATIONS.

- Aircraft equipment.
- Aerospace equipment.
- Undersea equipment.
- Power plant control equipment.
- Medical equipment.
- Traffic signal equipment.

- Burning / explosion control equipment.
- Disaster prevention / crime prevention equipment.
- Transportation equipment (vehicles, trains, ships, elevator, etc.).
- Application of similar complexity and/ or reliability requirements to the applications listed in the above.
- We expressly prohibit you from analyzing, breaking, reverse-engineering, remodeling altering, and reproducing our product. Our product cannot be used for the product which is prohibited from being manufactured, used, and sold by the regulations and laws in the world.

We do not warrant or represent that any license, either express or implied, is granted under any our patent right, copyright, mask work right, or our other intellectual property right relating to any combination, machine, or process in which our products or services are used. Information provided by us regarding third-party products or services does not constitute a license from us to use such products or services or a warranty or endorsement thereof. Use of such information may require a license from a third party under the patents or other intellectual property of the third party, or a license from us under our patents or other intellectual property.

Please do not use our products, our technical information and other data provided by us for the purpose of developing of mass-destruction weapons and the purpose of military use.

Moreover, you must comply with "foreign exchange and foreign trade law", the "U.S. export administration regulations", etc.

Please note that we may discontinue the manufacture of our products, due to reasons such as end of supply of materials and/or components from our suppliers.

By signing on specification sheet or approval sheet, you acknowledge that you are the legal representative for your company and that you understand and accept the validity of the contents herein. When you are not able to return the signed version of specification sheet or approval sheet within 30 days from receiving date of specification sheet or approval sheet, it shall be deemed to be your consent on the content of specification sheet or approval sheet. Customer acknowledges that engineering samples may deviate from specifications and may contain defects due to their development status. We reject any liability or product warranty for engineering samples. In particular we disclaim liability for damages caused by

- The use of the engineering sample other than for evaluation purposes, particularly the installation or integration in the product to be sold by you,
- Deviation or lapse in function of engineering sample,
- Improper use of engineering samples.
- We disclaim any liability for consequential and incidental damages.

If you can't agree with the above contents, please contact sales.

## Revision History

Revision	Date	Change	Change Description
	2023.1.27		Initial Release
A	2023.3.29		Converted to new template
B	2023.5.22	2 Key Features 5.1 Radio Certification 9.1 External Sleep Clock Requirements 10.1 10 Power On/ Power Off Sequence 11.1.4 SDR104 mode 12 DC/RF Characteristics	<ul style="list-style-type: none"> <li>• Add Fit value</li> <li>• Update ID</li> <li>• Remove External Sleep Clock Requirements</li> <li>• Revise figure</li> <li>• Update SDR104 mode</li> <li>• Add Characteristics</li> </ul>
C	2023.10.11	4 Block Diagram 5.1 Radio Certification 5.2 Radio Regulatory Certification by Country 6 Dimensions, Markings and Terminal Configurations 7.1 Pin Assignments 7.2 Pin Descriptions 9.3 Package Thermal Conditions	<ul style="list-style-type: none"> <li>• Revise figure</li> <li>• Update Japan certification ID</li> <li>• Add new information.</li> <li>• Revise figure</li> <li>• Revise figure</li> <li>• Revise list</li> <li>• Add new information</li> </ul>
D	2023.11.1	5.1 Radio Certification	<ul style="list-style-type: none"> <li>• Revie ISED No.</li> </ul>
E	2024.1.25	5.2 Radio Regulatory Certification by Country 12 DC/RF Characteristics 12.4.1 High-Rate Condition for IEEE 802.11ax (HE20) – 2.4GHz 12.5 DC/RF Characteristics for IEEE 802.11n (HT40) – 2.4 GHz 12.6 DC/RF Characteristics for IEEE 802.11ax (HE40) – 2.4GHz 12.8.1 High-Rate Condition for IEEE 802.11ax (HE20) – 5GHz	<ul style="list-style-type: none"> <li>• Revise link name</li> <li>• Add configuration files information.</li> <li>• Revise Minimum Input Level typo.</li> <li>• Add spec information.</li> <li>• Add spec information.</li> <li>• Revise Minimum Input Level typo.</li> </ul>

Copyright © Murata Manufacturing Co., Ltd. All rights reserved. The information and content in this document are provided “as-is” with no warranties of any kind and are for informational purpose only. Data and information have been carefully checked and are believed to be accurate; however, no liability or responsibility for any errors, omissions, or inaccuracies is assumed.

Wi-Fi® is a registered trademark of Wi-Fi Alliance. The Bluetooth® word mark and logos are registered trademarks owned by Bluetooth SIG, Inc. Other brand and product names are trademarks or registered trademarks of their respective owners.

Specifications are subject to change without notice.

